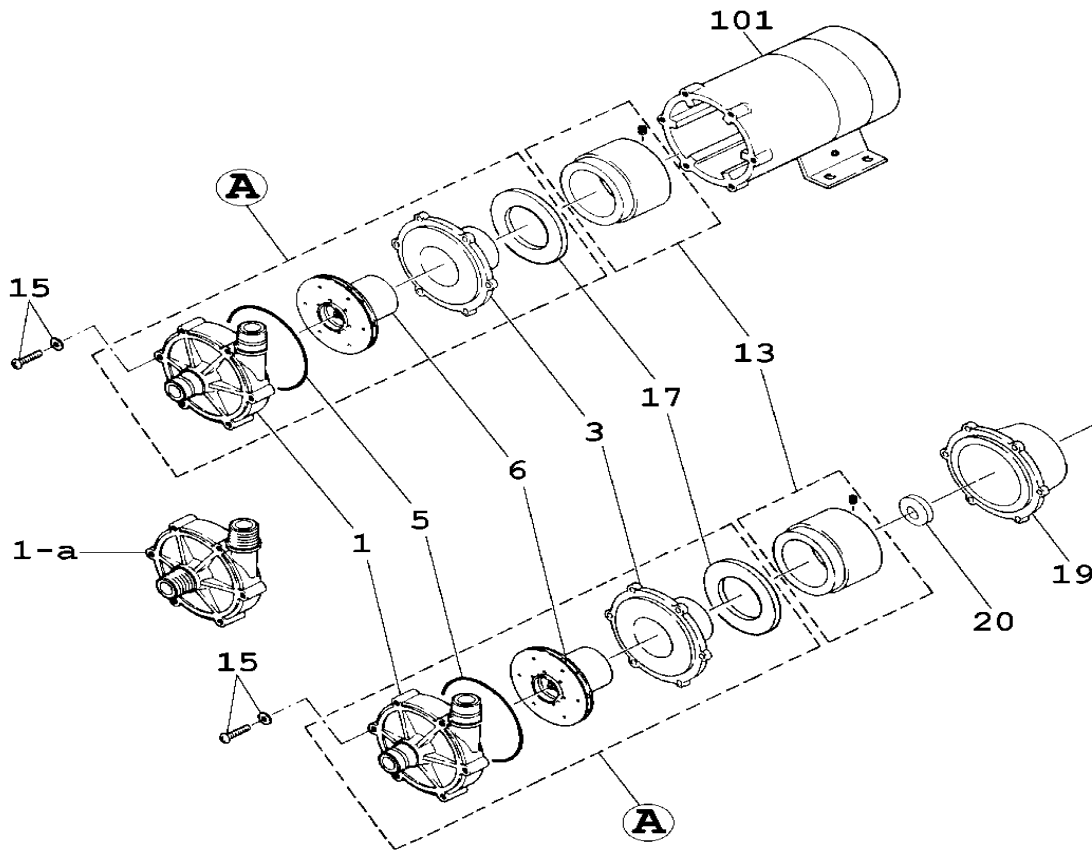


MD-100R • 100R-5

No. 51-052
Aug. 01, 2017



Item	Description	Q'ty	Material	MD-100R	MD-100R-5
				Part No.	Part No.
1	Front Casing (+Bearing) Unit	1	GFRPP+PTFE+	MD0143	←
1-a	" 'M' "	1	Alumina Ceramic	MD0144	←
3	Rear Casing (+Bearing) Unit	1	GFRPP+PTFE	MD0149	←
5	O-Ring	AS568-244	FKM	MD0145	←
			EPDM	MD0514	←
6	Impeller Unit	Ø 84 mm	CFRPP+PTFE+	MD0147	
		Ø 100 mm	Al.Ceramic+Ferrite		MD0631
13	Drive Magnet Unit (Ø14mm)	1	Aluminium+Ferrite	MD0150	←
*13	" for IEC Motor (Ø14mm)	1		MD0707	←
15	Bolt+S.W.+P.W.	M6x50	SUS304 equivalent	MD0378	←
17	Retainer Ring	1	SUS304	MD0155	←
101	Motor [AC220/240V] 1-Phase	1		MD0332	←
	Motor [AC400/440V] 3-Phase	1		MD0334	←
*19	Bracket for IEC Motor	1	FC200	MD0336	←
*20	Spacer for IEC Motor	1	Aluminium	MD0411	←
A	Wet End Set	1	with FKM	MD0158	MD0160
		1	with EPDM		
A	Wet End Set, 'M' Type	1	with FKM	MD0159	MD0161
		1	with EPDM		

Note: Items marked with * are required to fit an IEC Motor.

△ Subject to change without prior notice! △ Actual pump may differ from the exploded view!