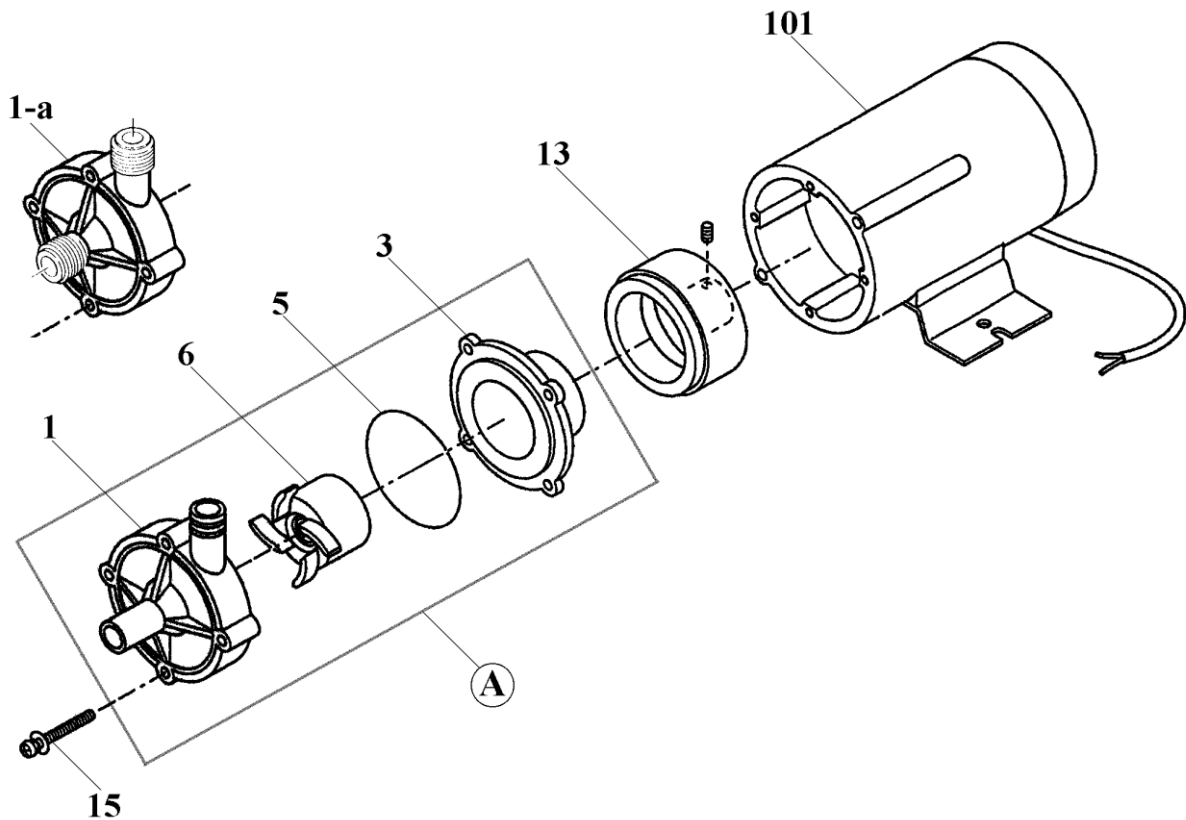


MD-15R

No. 51-046
Aug. 01, 2017



Item	Description	Q'ty	Material	Part No.
1	Front Casing (+Bearing) Unit	1	GFRPP+PTFE	MD0763
1-a	Front Casing 'M' (+Bearing) Unit	1	GFRPP+PTFE	MD0002
3	Rear Casing (+Bearing) Unit	1	GFRPP+PTFE	MD0764
5	O-Ring, AS568-034	1	FKM	MD0007
		1	EPDM	MD0008
6	Impeller Unit (+Spindle+Thrust Ring)	1	GFRPP+CE+Ferrite	MD0009
13	Drive Magnet Unit	1	Aluminium+Ferrite	MD0614
15	Screw+S.W.+P.W., M4x28	4	SUS304 equivalent	MD0017
* 101	Motor [AC230V] 10W	1		1231121500
A	Wet End Set	1	with FKM O-Ring	11112207
		1	with EPDM O-Ring	
A	Wet End Set, 'M' Type	1	with FKM O-Ring	MD0022
		1	with EPDM O-Ring	

⚠ Subject to change without prior notice! ⚠ Actual pump may differ from the exploded view!