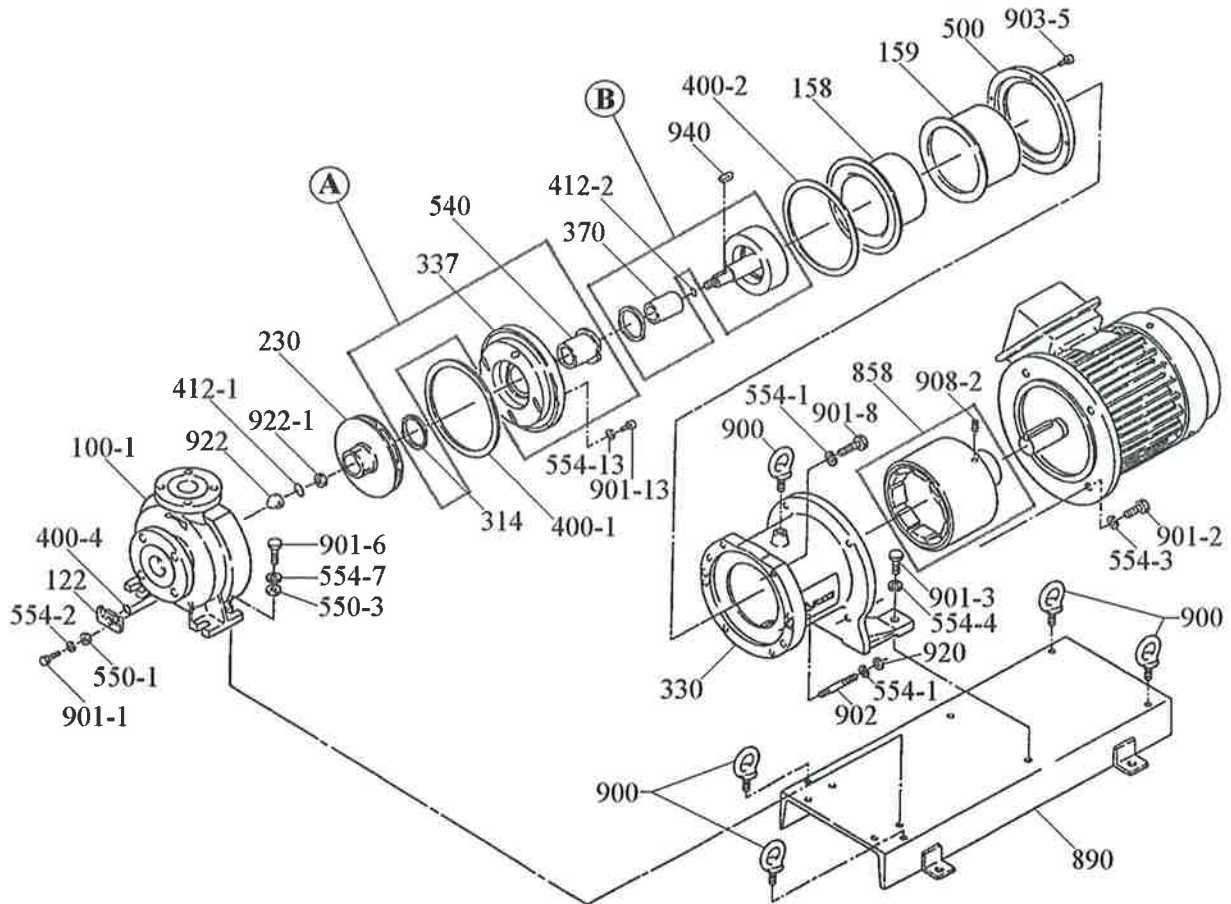


Item	Description	Q'ty	Material	Part No.	Code No.		
100-1	Front Casing Unit (ISO) with Drain	1	ETFE+Ductile Iron	MDE0743	1220256010		
	Front Casing Unit (ISO) without Drain	1	ETFE+Ductile Iron	MDE0744	1220256020		
122	Drain Plate	1	Steel	MDE0741	1240653400		
158	Rear Casing	1	PFA+FRP	MDE0780	1231221700		
159	Rear Casing Cover	1	FRP	MDE0781	1231221800		
230	Impeller	Ø 290 mm	250	1	CFRETFE+Stnls Steel	MDE0727	1230836800
		Ø 280 mm	240	1	CFRETFE+Stnls Steel	MDE0728	1230836910
		Ø 270 mm	230	1	CFRETFE+Stnls Steel	MDE0729	1230836920
		Ø 260 mm	220	1	CFRETFE+Stnls Steel	MDE0730	1230836930
		Ø 250 mm	210	1	CFRETFE+Stnls Steel	MDE0731	1230836940
		Ø 240 mm	200	1	CFRETFE+Stnls Steel	MDE0732	1230836950
	Ø 230 mm	190	1	CFRETFE+Stnls Steel	MDE0733	1230836960	
314	Thrust Ring	1	SiC	MDE0489	1240620200		
330	Bracket with Eye Bolt (4-Pole) 11~22kW	1	Ductile Iron (+Steel)	MDE0476	1220253200		
337	Split Plate	1	PFA+Ductile Iron	MDE0734	1220230300		
A	Split Plate Assembly (314+337+540)	1	SiC+PFA+SiC	MDE0710	1240644100		
370	Sleeve	1	SiC	MDE0483	1240620000		
400-1	Gasket (Front)	1	PTFE	MDE0711	1240613000		
400-2	Gasket (Rear)	1	PTFE	MDE0485	1240594000		
400-4	Drain Gasket	1	PTFE	MDE0742	1240653300		
412-1	O-Ring (AS568-128)	1	Kalrez®	MDE0704	0325500258		
412-2	O-Ring (AS568-123)	1	Kalrez®	MDE0703	0325500138		
500	Backup Ring	1	Ductile Iron	MDE0748	1230873000		
540	Bearing	1	SiC	MDE0488	1230794800		
550-1	Plate Washer (M8)	2	SUS304 equivalent	MDE0151	0153500074		
550-3	" " (M12)	4	SUS304 equivalent	MDE0120	0153500029		



Item	Description	Q'ty	Material	Part No.	Code No.
554-1	Spring Washer (M16)	8	SUS304 equivalent	MDE0260	0154100026
554-2	" " (M8)	2	SUS304 equivalent	MDE0119	0154100057
554-3	" " (M16)	4	SUS304 equivalent	MDE0260	0154100026
554-4	" " (M16)	2	SUS304 equivalent	MDE0260	0154100026
554-7	" " (M12)	4	SUS304 equivalent	MDE0111	0154100024
554-13	" " (M16)	8	SUS304 equivalent	MDE0260	0154100026
858	Drive Magnet Unit	11 kW (4-Pole)	Rare Earth+Steel	MDE0736	2220231910
		15 kW (4-Pole)	Rare Earth+Steel	MDE0737	2220231920
		18.5•22 kW (4-Pole)	Rare Earth+Steel	MDE0738	2220231940
B	Magnet Capsule Unit Assembly (M.C.+370+Thrust)	11 kW (4-Pole)	R.Earth+PFA+SiC	MDE0515	2230792120
		15 kW (4-Pole)	R.Earth+PFA+SiC	MDE0516	2230792130
		18.5•22 kW (4-Pole)	R.Earth+PFA+SiC	MDE0517	2230792140
890	Base	1	Steel	MDE0740	1230800900
900	Eye Bolt (M16)	5	Steel	MDE0528	0150800005
901-1	Hex. Head Bolt (M8x20)	2	SUS304 equivalent	MDE0150	0150100163
901-2	" " " (M16x40)	4	SUS304 equivalent	MDE0529	0150100613
901-3	" " " (M16x35)	2	SUS304 equivalent	MDE0530	0150100239
901-6	" " " (M12x35)	4	SUS304 equivalent	MDE0110	0150100207
901-8	" " " (M16x55)	6	SUS304 equivalent	MDE0724	0150100242
901-13	" " " (M16x25)	8	SUS304 equivalent	MDE0726	0150100647
902	Stud Bolt (M16x85)	2	SUS304 equivalent	MDE0735	0150600031
903-5	Hex. Socket Head Bolt (M8x20)	4	SUS304 equivalent	MDE0535	0150300032
908-2	Hex. Socket Setscrew (M8x10)	2	Steel	MDE0139	0152100046
920	Hexagon Nut (M16)	2	SUS304 equivalent	MDE0537	0153100034
922	Impeller Nut	1	CFRETFE+S4 equiv	MDE0538	1240645700
922-1	Impeller Lock Nut	1	SUS304 equivalent	MDE0712	1240729200
940	Key	1	Steel	MDE0541	0155300036

⚠ Subject to change without prior notice! ⚠ Actual pump may differ from the exploded view!