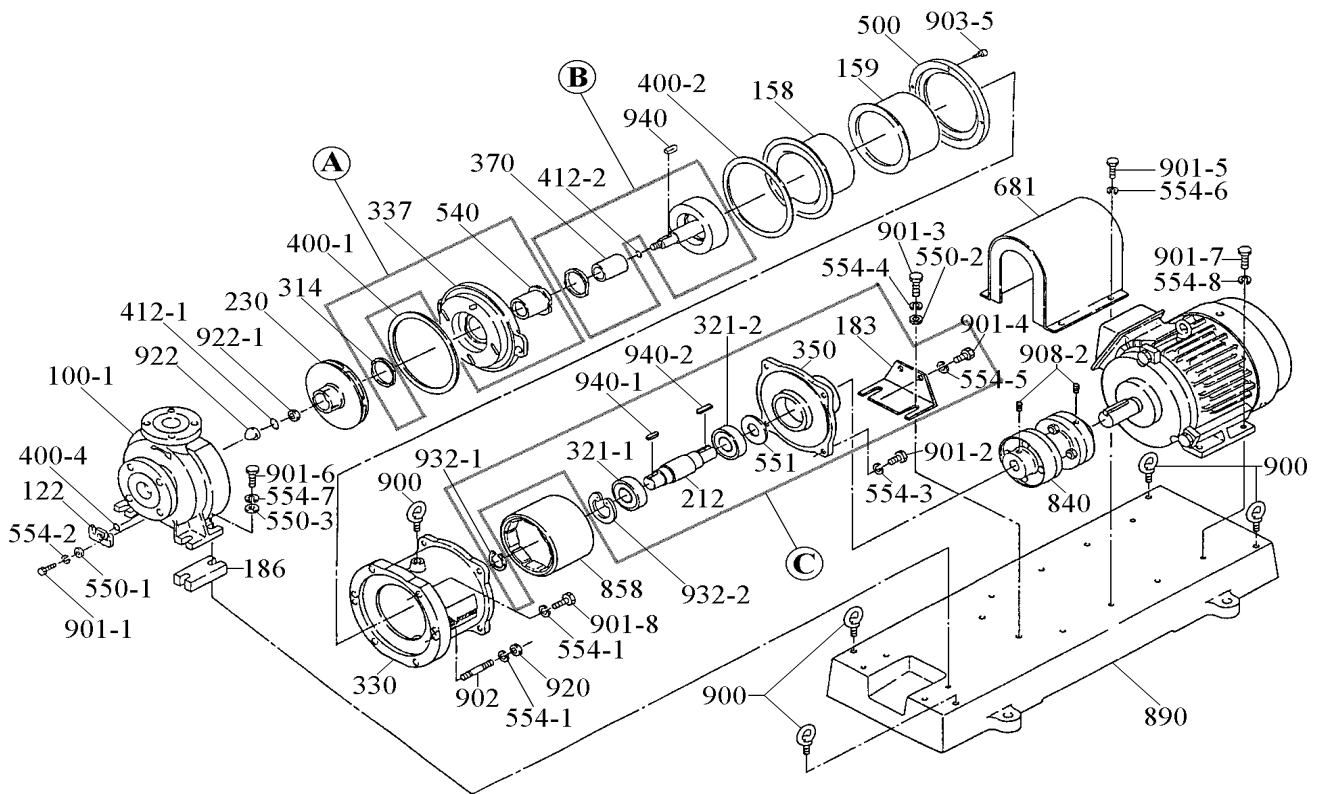


MDE 50-200-65-160 PKZC

No. 59-088
Mar. 01, 2006



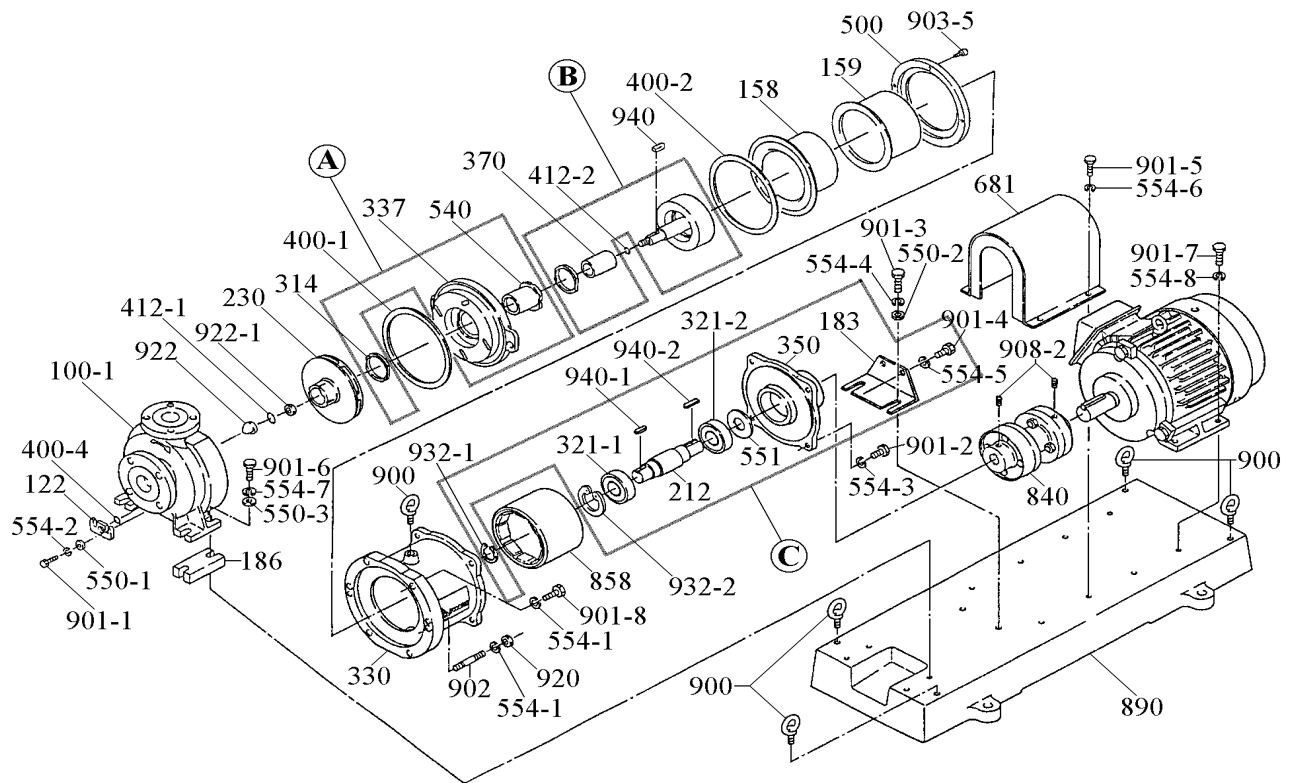
Item	Description	Type	Q'ty	Material	MDE 50-200-P (PFA)	
					Part No.	
* Following are exclusive parts for MDE 50-200-P (PFA) .						
100-1	Front Casing Unit (ISO)	P	1	PFA+FCD 400	MDE0770	
230	Impeller	Ø 210 mm	210	1	PFA+SUS304 equiv.	MDE0755
		Ø 200 mm	200	1	PFA+SUS304 equiv.	MDE0756
		Ø 190 mm	190	1	PFA+SUS304 equiv.	MDE0757
		Ø 180 mm	180	1	PFA+SUS304 equiv.	MDE0758
		Ø 170 mm	170	1	PFA+SUS304 equiv.	MDE0759
922	Impeller Nut		1	PFA+SUS304 equiv.	MDE0760	

Item	Description	Type	Q'ty	Material	MDE 65-160-P (PFA)	
					Part No.	
* Following are exclusive parts for MDE 65-160-P (PFA) .						
100-1	Front Casing Unit (ISO)	P	1	PFA+FCD 400	MDE0767	
230	Impeller	Ø 190 mm	160	1	PFA+SUS304 equiv.	MDE0762
		Ø 180 mm	150	1	PFA+SUS304 equiv.	MDE0763
		Ø 170 mm	140	1	PFA+SUS304 equiv.	MDE0764
		Ø 160 mm	130	1	PFA+SUS304 equiv.	MDE0765
		Ø 150x160 mm	120	1	PFA+SUS304 equiv.	MDE0766
922	Impeller Nut		1	PFA+SUS304 equiv.	MDE0760	

⚠ Subject to change without prior notice! ⚠ Actual pump may differ from the exploded view!

MDE 50-200 • 65-160 EKZC

No. 59-085
Mar. 01, 2006



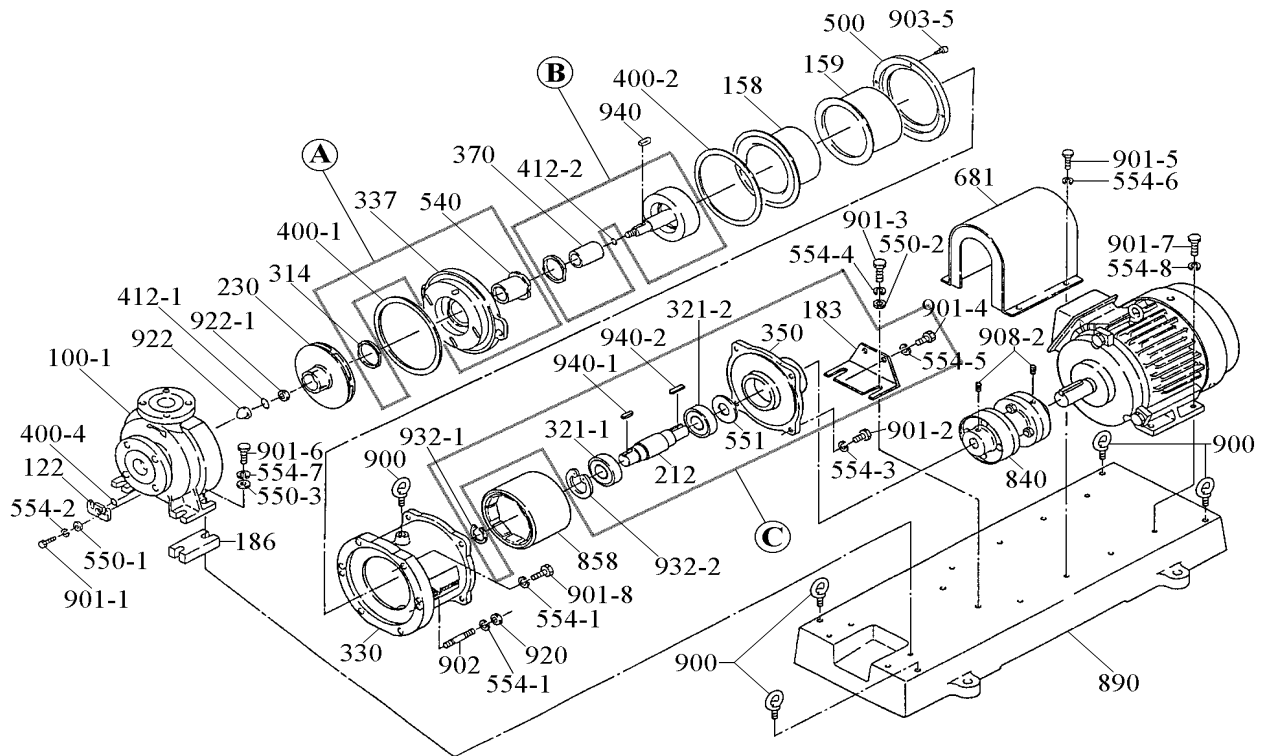
Item	Description	Type	Q'ty	Material	MDE 50-200 EKZC		MDE 65-160 EKZC		
					Part No.		Part No.		
100-1	Front Casing Unit (ISO)	E	1	ETFE+FCD 400	MDE0455		MDE0456		
122	Drain Plate		1	Steel	MDE0148		ï		
158	Rear Casing		1	PFA	MDE0458		ï		
159	Rear Casing Cover		1	FRP	MDE0459		ï		
183	Support	18,5 kW (2-Pole)	1	Steel	MDE0460		MDE0461		
		22 kW (2-Pole)	1	Steel	MDE0462		MDE0463		
		30•37 kW (2-Pole)	1	Steel	MDE0464		MDE0465		
186	Front Spacer	22~37 kW (2-P)	2	Steel	MDE0557				
212	Drive Shaft		1	Steel	MDE0468		MDE0469		
230	Impeller "50-200-E"	Ø 210 mm	210	1	CFRETFE+S4 equiv.	MDE0714			
		Ø 200 mm	200	1	CFRETFE+S4 equiv.	MDE0715			
		Ø 190 mm	190	1	CFRETFE+S4 equiv.	MDE0716			
		Ø 180 mm	180	1	CFRETFE+S4 equiv.	MDE0717			
		Ø 170 mm	170	1	CFRETFE+S4 equiv.	MDE0718			
	Impeller "65-160-E"	Ø 190 mm	160	1	CFRETFE+S4 equiv.			MDE0719	
		Ø 180 mm	150	1	CFRETFE+S4 equiv.			MDE0720	
		Ø 170 mm	140	1	CFRETFE+S4 equiv.			MDE0721	
Ø 160 mm		130	1	CFRETFE+S4 equiv.			MDE0722		
	Ø 150x160 mm	120	1	CFRETFE+S4 equiv.			MDE0723		
314	Rear Thrust Ring		1	SiC	MDE0489		ï		
321-1	Ball Bearing		1		MDE0474		MDE0427		
321-2	Ball Bearing		1		MDE0427		MDE0427		
*330	Bracket	18,5~37 kW (2-Pole)	1	FCD 400 (+Steel)	MDE0475		ï		
337	Split Plate		1	PFA+FCD400	MDE0479		ï		
A	Split Plate Ass'y	(314+337+540)	1	SiC+PFA+SiC	MDE0709		ï		
350	Bearing Housing		1	FC 200	MDE0481		MDE0482		
C	Bearing	18,5 kW (2-Pole)	1		MDE0564		MDE0568		
	Housing	22 kW (2-Pole)	1		MDE0565		MDE0569		
	Assembly	30•37 kW (2-Pole)	1		MDE0566		MDE0570		
370	Sleeve		1	SiC	MDE0483		ï		

* Bracket is furnished with an "Eye Bolt" (900).

⚠ Subject to change without prior notice! ⚠ Actual pump may differ from the exploded view!

MDE 50-200 • 65-160 EKZC

No. 59-086
Mar. 01, 2006

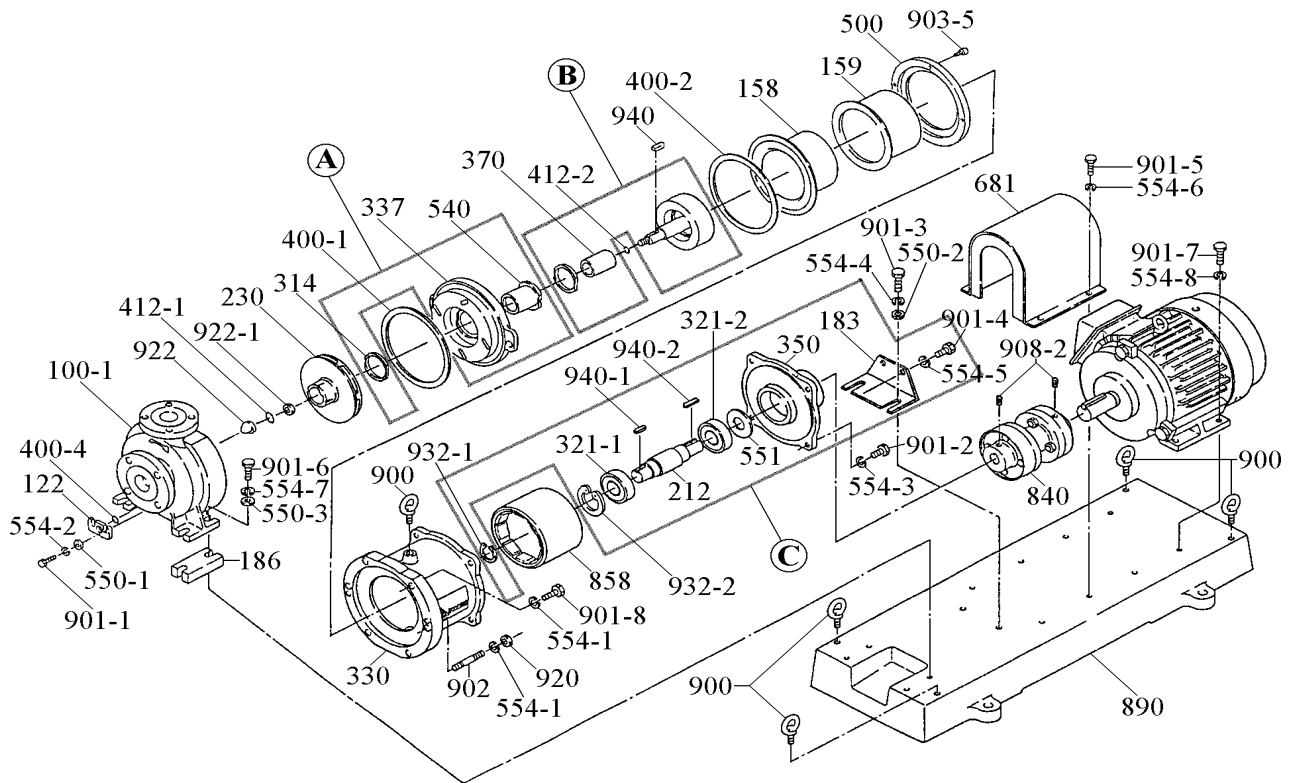


Item	Description	Q'ty	Material	MDE 50-200 EKZC	MDE 65-160 EKZC	
				Part No.	Part No.	
400-1	Gasket (Front)	1	PTFE	MDE0484	İ	
400-2	Gasket (Rear)	1	PTFE	MDE0485	İ	
400-4	Drain Gasket	1	PTFE	MDE0149	İ	
412-1	O-Ring (AS568-128)	1	Kalrez®	MDE0704	İ	
412-2	O-Ring (AS568-123)	1	Kalrez®	MDE0703	İ	
500	Backup Ring	1	FCD 450	MDE0748	İ	
540	Bearing	1	SiC	MDE0488	İ	
550-1	Plate Washer (M8)	2	SUS304 equivalent	MDE0151	İ	
550-2	" " (M12)	2	SUS304 equivalent	MDE0120	İ	
550-3	" " (M12)	4	SUS304 equivalent	MDE0120	İ	
551	Wave Washer	1	Spring Steel	MDE0418	İ	
554-1	Spring Washer (M16)	8	SUS304 equivalent	MDE0260	İ	
554-2	" " (M8)	2	SUS304 equivalent	MDE0119	İ	
554-3	" " (M12)	4	SUS304 equivalent	MDE0111	İ	
554-4	" " (M12)	2	SUS304 equivalent	MDE0111	İ	
554-5	" " (M10)	2	SUS304 equivalent	MDE0118	İ	
554-6	" " (M8)	4	SUS304 equivalent	MDE0119	İ	
554-7	" " (M12)	4	SUS304 equivalent	MDE0111	İ	
554-8	" (M12) 18,5•22 kW (2-Pole)	4	SUS304 equivalent	MDE0111	İ	
	" (M16) 30•37 kW (2-Pole)	4	SUS304 equivalent	MDE0260	İ	
681	Coupling Cover	18,5 kW (2-Pole)	1	Steel	MDE0140	MDE0491
		22 kW (2-Pole)	1	Steel	MDE0493	MDE0494
		30 kW (2-Pole)	1	Steel	MDE0495	MDE0494
		37 kW (2-Pole)	1	Steel	MDE0496	MDE0497
840	Coupling	18,5 kW (2-Pole)	1		MDE0138	MDE0500
		22 kW (2-Pole)	1		MDE0502	MDE0503
		30•37 kW (2-Pole)	1		MDE0504	MDE0505
858	Drive Magnet Unit	18,5 kW (2-Pole)	1	Rare Earth+Steel	MDE0546	İ
		22 kW (2-Pole)	1	Rare Earth+Steel	MDE0547	İ
		30 kW (2-Pole)	1	Rare Earth+Steel	MDE0548	İ
		37 kW (2-Pole)	1	Rare Earth+Steel	MDE0549	İ

⚠ Subject to change without prior notice! ⚠ Actual pump may differ from the exploded view!

MDE 50-200 • 65-160 EKZC

No. 59-087
Mar. 01, 2006



Item	Description	Q'ty	Material	MDE 50-200 EKZC		MDE 65-160 EKZC	
				Part No.		Part No.	
B	Magnet Capsule	18,5 kW (2-Pole)	1	R.Earth+PFA+SiC	MDE0514		İ
	Unit Assembly (Mag.Capsule+ 370+Thrust)	22 kW (2-Pole)	1	R.Earth+PFA+SiC	MDE0515		İ
		30 kW (2-Pole)	1	R.Earth+PFA+SiC	MDE0516		İ
		37 kW (2-Pole)	1	R.Earth+PFA+SiC	MDE0517		İ
890	Base	18,5 kW (2-Pole)	1	FC 200	MDE0204		MDE0525
		22 kW (2-Pole)	1	FC 200	MDE0526		MDE0527
		30•37 kW (2-Pole)	1	FC 200	MDE0574		MDE0560
900	Eye Bolt (M16)		5	Steel	MDE0528		İ
901-1	Hex. Head Bolt (M8x20)		2	SUS304 equivalent	MDE0150		İ
901-2	" " " (M12x35)		4	SUS304 equivalent	MDE0110		İ
901-3	" " " (M12x35)		2	SUS304 equivalent	MDE0110		İ
901-4	" " " (M10x25)		2	SUS304 equivalent	MDE0531		İ
901-5	" " " (M8x15)		4	SUS304 equivalent	MDE0116		İ
901-6	" " (M12x35)	18,5kW / All	4	SUS304 equivalent	MDE0110		İ
	" " (M12x60)	22~37 kW	4	SUS304 equivalent	MDE0562		
901-7	" (M12x30)	All / 18,5•22kW	4	SUS304 equivalent	MDE9991		İ
	" " (M16x30)	30•37 kW	4	SUS304 equivalent			MDE9990
901-8	" " " (M16x70)		6	SUS304 equivalent	MDE0533		İ
902	Stud Bolt (M16x95)		2	SUS304 equivalent	MDE0534		İ
903-5	Hex. Socket Head Bolt (M8x20)		4	SUS304 equivalent	MDE0535		İ
908-2	Hex. Socket Setscrew (M8x10)		4	Steel	MDE0139		İ
920	Hexagon Nut (M16)		2	SUS304 equivalent	MDE0537		İ
922	Impeller Nut		1	CFRETFE+S4 eq.	MDE0538		İ
922-1	Impeller Lock Nut		1	SUS304 equivalent	MDE0712		İ
932-1	Retaining Ring		1	Steel Wire Rod	MDE0539		İ
932-2			1	Steel Wire Rod	MDE0540		MDE0428
940	Key		1	Steel	MDE0541		İ
940-1			1	Steel	MDE0542		İ
940-2			1	Steel	MDE0421		MDE0571

⚠ Subject to change without prior notice! ⚠ Actual pump may differ from the exploded view!