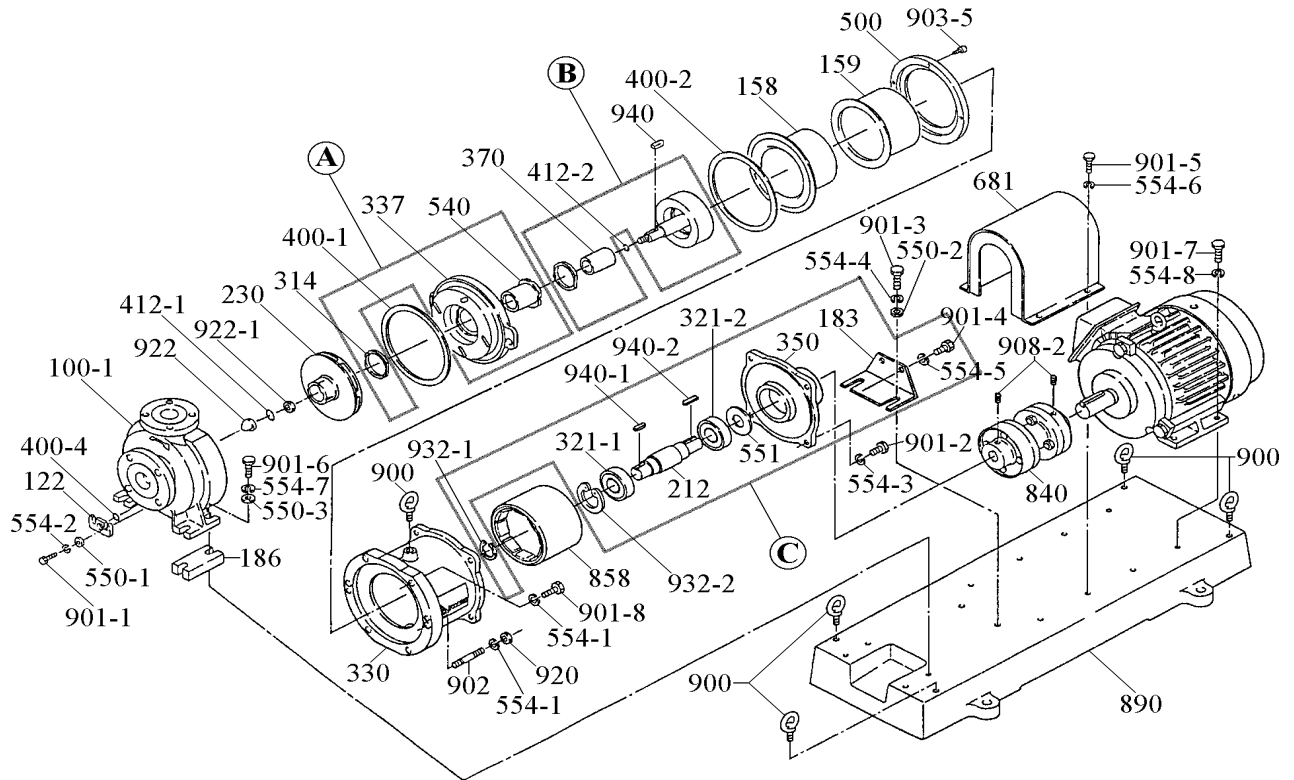


MDE 50-200 • 65-160 EKZC

No. 59-085
Mar. 01, 2006



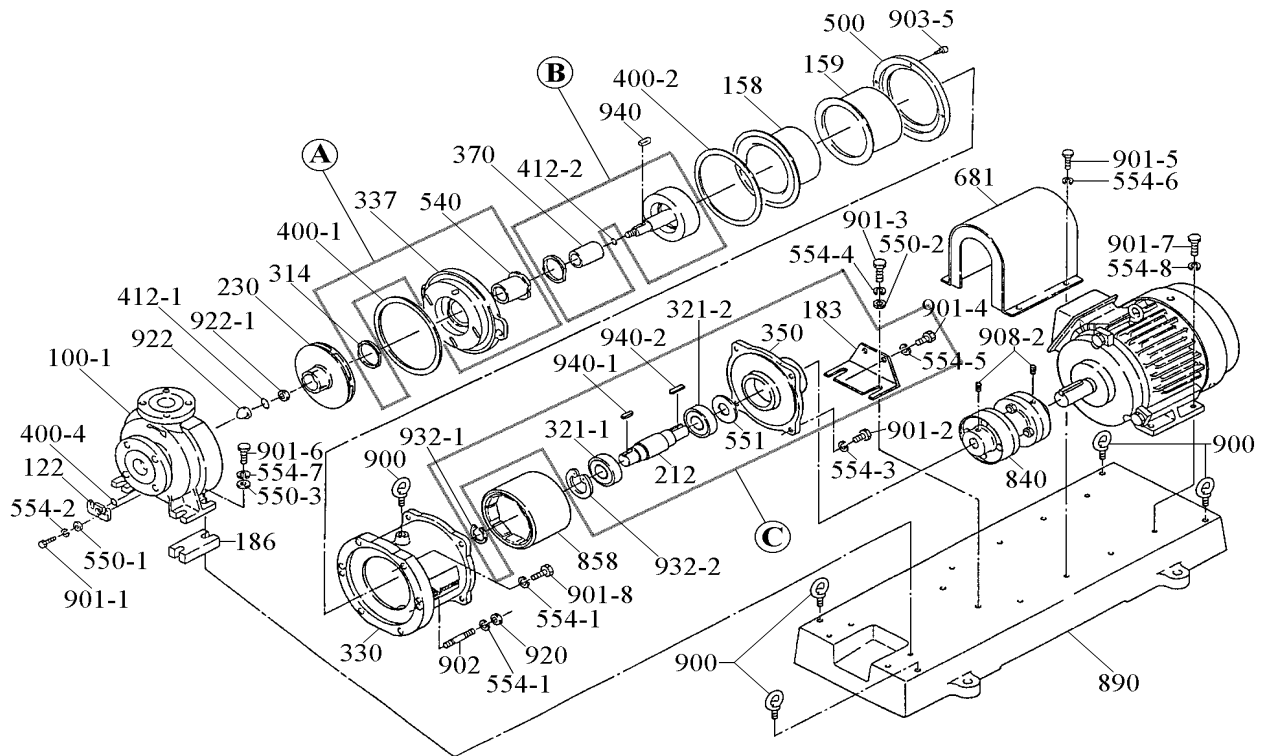
| Item | Description | Type | Q'ty | Material | MDE 50-200 EKZC | | MDE 65-160 EKZC | | |
|----------|--------------------------------|---------------------|------------|-------------------|-------------------|----------------|-----------------|----------------|--|
| | | | | | Part No. | | Part No. | | |
| 100-1 | Front Casing Unit (ISO) | E | 1 | ETFE+FCD 400 | MDE0455 | | MDE0456 | | |
| 122 | Drain Plate | | 1 | Steel | MDE0148 | | ï | | |
| 158 | Rear Casing | | 1 | PFA | MDE0458 | | ï | | |
| 159 | Rear Casing Cover | | 1 | FRP | MDE0459 | | ï | | |
| 183 | Support | 18,5 kW (2-Pole) | 1 | Steel | MDE0460 | | MDE0461 | | |
| | | 22 kW (2-Pole) | 1 | Steel | MDE0462 | | MDE0463 | | |
| | | 30•37 kW (2-Pole) | 1 | Steel | MDE0464 | | MDE0465 | | |
| 186 | Front Spacer | 22~37 kW (2-P) | 2 | Steel | MDE0557 | | | | |
| 212 | Drive Shaft | | 1 | Steel | MDE0468 | | MDE0469 | | |
| 230 | Impeller "50-200-E" | Ø 210 mm | 210 | 1 | CFRETFE+S4 equiv. | MDE0714 | | | |
| | | Ø 200 mm | 200 | 1 | CFRETFE+S4 equiv. | MDE0715 | | | |
| | | Ø 190 mm | 190 | 1 | CFRETFE+S4 equiv. | MDE0716 | | | |
| | | Ø 180 mm | 180 | 1 | CFRETFE+S4 equiv. | MDE0717 | | | |
| | | Ø 170 mm | 170 | 1 | CFRETFE+S4 equiv. | MDE0718 | | | |
| | Impeller "65-160-E" | Ø 190 mm | 160 | 1 | CFRETFE+S4 equiv. | | | MDE0719 | |
| | | Ø 180 mm | 150 | 1 | CFRETFE+S4 equiv. | | | MDE0720 | |
| | | Ø 170 mm | 140 | 1 | CFRETFE+S4 equiv. | | | MDE0721 | |
| Ø 160 mm | | 130 | 1 | CFRETFE+S4 equiv. | | | MDE0722 | | |
| | Ø 150x160 mm | 120 | 1 | CFRETFE+S4 equiv. | | | MDE0723 | | |
| 314 | Rear Thrust Ring | | 1 | SiC | MDE0489 | | ï | | |
| 321-1 | Ball Bearing | | 1 | | MDE0474 | | MDE0427 | | |
| 321-2 | Ball Bearing | | 1 | | MDE0427 | | MDE0427 | | |
| *330 | Bracket | 18,5~37 kW (2-Pole) | 1 | FCD 400 (+Steel) | MDE0475 | | ï | | |
| 337 | Split Plate | | 1 | PFA+FCD400 | MDE0479 | | ï | | |
| A | Split Plate Ass'y | (314+337+540) | 1 | SiC+PFA+SiC | MDE0709 | | ï | | |
| 350 | Bearing Housing | | 1 | FC 200 | MDE0481 | | MDE0482 | | |
| C | Bearing | 18,5 kW (2-Pole) | 1 | | MDE0564 | | MDE0568 | | |
| | Housing | 22 kW (2-Pole) | 1 | | MDE0565 | | MDE0569 | | |
| | Assembly | 30•37 kW (2-Pole) | 1 | | MDE0566 | | MDE0570 | | |
| 370 | Sleeve | | 1 | SiC | MDE0483 | | ï | | |

* Bracket is furnished with an "Eye Bolt" (900).

⚠ Subject to change without prior notice! ⚠ Actual pump may differ from the exploded view!

MDE 50-200 • 65-160 EKZC

No. 59-086
Mar. 01, 2006

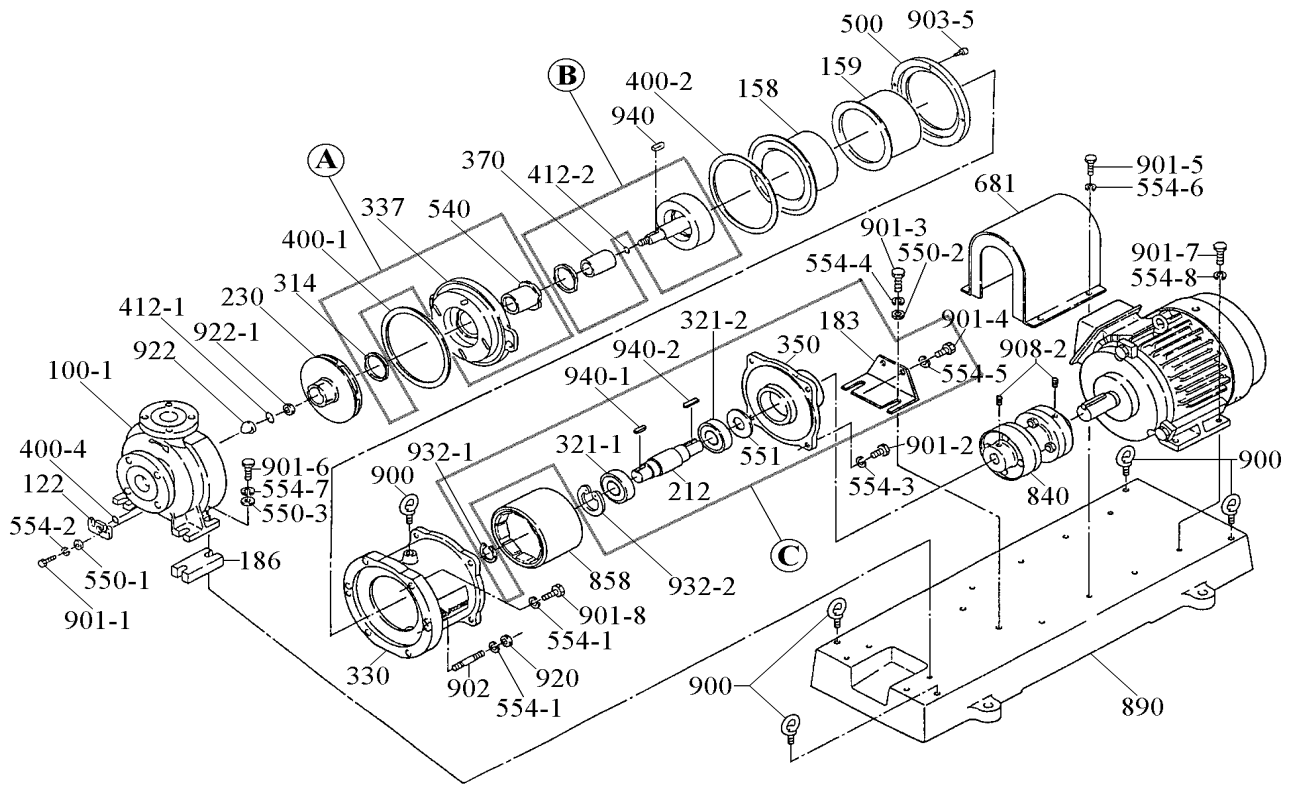


| Item | Description | Q'ty | Material | MDE 50-200 EKZC | MDE 65-160 EKZC | |
|-------|-----------------------------|-------------------|-------------------|------------------|-----------------|----------------|
| | | | | Part No. | Part No. | |
| 400-1 | Gasket (Front) | 1 | PTFE | MDE0484 | İ | |
| 400-2 | Gasket (Rear) | 1 | PTFE | MDE0485 | İ | |
| 400-4 | Drain Gasket | 1 | PTFE | MDE0149 | İ | |
| 412-1 | O-Ring (AS568-128) | 1 | Kalrez® | MDE0704 | İ | |
| 412-2 | O-Ring (AS568-123) | 1 | Kalrez® | MDE0703 | İ | |
| 500 | Backup Ring | 1 | FCD 450 | MDE0748 | İ | |
| 540 | Bearing | 1 | SiC | MDE0488 | İ | |
| 550-1 | Plate Washer (M8) | 2 | SUS304 equivalent | MDE0151 | İ | |
| 550-2 | " " (M12) | 2 | SUS304 equivalent | MDE0120 | İ | |
| 550-3 | " " (M12) | 4 | SUS304 equivalent | MDE0120 | İ | |
| 551 | Wave Washer | 1 | Spring Steel | MDE0418 | İ | |
| 554-1 | Spring Washer (M16) | 8 | SUS304 equivalent | MDE0260 | İ | |
| 554-2 | " " (M8) | 2 | SUS304 equivalent | MDE0119 | İ | |
| 554-3 | " " (M12) | 4 | SUS304 equivalent | MDE0111 | İ | |
| 554-4 | " " (M12) | 2 | SUS304 equivalent | MDE0111 | İ | |
| 554-5 | " " (M10) | 2 | SUS304 equivalent | MDE0118 | İ | |
| 554-6 | " " (M8) | 4 | SUS304 equivalent | MDE0119 | İ | |
| 554-7 | " " (M12) | 4 | SUS304 equivalent | MDE0111 | İ | |
| 554-8 | " (M12) 18,5•22 kW (2-Pole) | 4 | SUS304 equivalent | MDE0111 | İ | |
| | " (M16) 30•37 kW (2-Pole) | 4 | SUS304 equivalent | MDE0260 | İ | |
| 681 | Coupling Cover | 18,5 kW (2-Pole) | 1 | Steel | MDE0140 | MDE0491 |
| | | 22 kW (2-Pole) | 1 | Steel | MDE0493 | MDE0494 |
| | | 30 kW (2-Pole) | 1 | Steel | MDE0495 | MDE0494 |
| | | 37 kW (2-Pole) | 1 | Steel | MDE0496 | MDE0497 |
| 840 | Coupling | 18,5 kW (2-Pole) | 1 | | MDE0138 | MDE0500 |
| | | 22 kW (2-Pole) | 1 | | MDE0502 | MDE0503 |
| | | 30•37 kW (2-Pole) | 1 | | MDE0504 | MDE0505 |
| 858 | Drive Magnet Unit | 18,5 kW (2-Pole) | 1 | Rare Earth+Steel | MDE0546 | İ |
| | | 22 kW (2-Pole) | 1 | Rare Earth+Steel | MDE0547 | İ |
| | | 30 kW (2-Pole) | 1 | Rare Earth+Steel | MDE0548 | İ |
| | | 37 kW (2-Pole) | 1 | Rare Earth+Steel | MDE0549 | İ |

⚠ Subject to change without prior notice! ⚠ Actual pump may differ from the exploded view!

MDE 50-200 • 65-160 EKZC

No. 59-087
Mar. 01, 2006



| Item | Description | Q'ty | Material | MDE 50-200 EKZC | | MDE 65-160 EKZC | |
|-------|---|-------------------|----------|-------------------|---------|-----------------|---------|
| | | | | Part No. | | Part No. | |
| B | Magnet Capsule | 18,5 kW (2-Pole) | 1 | R.Earth+PFA+SiC | MDE0514 | | İ |
| | Unit Assembly (Mag.Capsule+ 370+Thrust) | 22 kW (2-Pole) | 1 | R.Earth+PFA+SiC | MDE0515 | | İ |
| | | 30 kW (2-Pole) | 1 | R.Earth+PFA+SiC | MDE0516 | | İ |
| | | 37 kW (2-Pole) | 1 | R.Earth+PFA+SiC | MDE0517 | | İ |
| 890 | Base | 18,5 kW (2-Pole) | 1 | FC 200 | MDE0204 | | MDE0525 |
| | | 22 kW (2-Pole) | 1 | FC 200 | MDE0526 | | MDE0527 |
| | | 30•37 kW (2-Pole) | 1 | FC 200 | MDE0574 | | MDE0560 |
| 900 | Eye Bolt (M16) | | 5 | Steel | MDE0528 | | İ |
| 901-1 | Hex. Head Bolt (M8x20) | | 2 | SUS304 equivalent | MDE0150 | | İ |
| 901-2 | " " " (M12x35) | | 4 | SUS304 equivalent | MDE0110 | | İ |
| 901-3 | " " " (M12x35) | | 2 | SUS304 equivalent | MDE0110 | | İ |
| 901-4 | " " " (M10x25) | | 2 | SUS304 equivalent | MDE0531 | | İ |
| 901-5 | " " " (M8x15) | | 4 | SUS304 equivalent | MDE0116 | | İ |
| 901-6 | " " (M12x35) | 18,5kW / All | 4 | SUS304 equivalent | MDE0110 | | İ |
| | " " (M12x60) | 22~37 kW | 4 | SUS304 equivalent | MDE0562 | | |
| 901-7 | " (M12x30) | All / 18,5•22kW | 4 | SUS304 equivalent | MDE9991 | | İ |
| | " " (M16x30) | 30•37 kW | 4 | SUS304 equivalent | | | MDE9990 |
| 901-8 | " " " (M16x70) | | 6 | SUS304 equivalent | MDE0533 | | İ |
| 902 | Stud Bolt (M16x95) | | 2 | SUS304 equivalent | MDE0534 | | İ |
| 903-5 | Hex. Socket Head Bolt (M8x20) | | 4 | SUS304 equivalent | MDE0535 | | İ |
| 908-2 | Hex. Socket Setscrew (M8x10) | | 4 | Steel | MDE0139 | | İ |
| 920 | Hexagon Nut (M16) | | 2 | SUS304 equivalent | MDE0537 | | İ |
| 922 | Impeller Nut | | 1 | CFRETFE+S4 eq. | MDE0538 | | İ |
| 922-1 | Impeller Lock Nut | | 1 | SUS304 equivalent | MDE0712 | | İ |
| 932-1 | Retaining Ring | | 1 | Steel Wire Rod | MDE0539 | | İ |
| 932-2 | | | 1 | Steel Wire Rod | MDE0540 | | MDE0428 |
| 940 | Key | | 1 | Steel | MDE0541 | | İ |
| 940-1 | | | 1 | Steel | MDE0542 | | İ |
| 940-2 | | | 1 | Steel | MDE0421 | | MDE0571 |

⚠ Subject to change without prior notice! ⚠ Actual pump may differ from the exploded view!