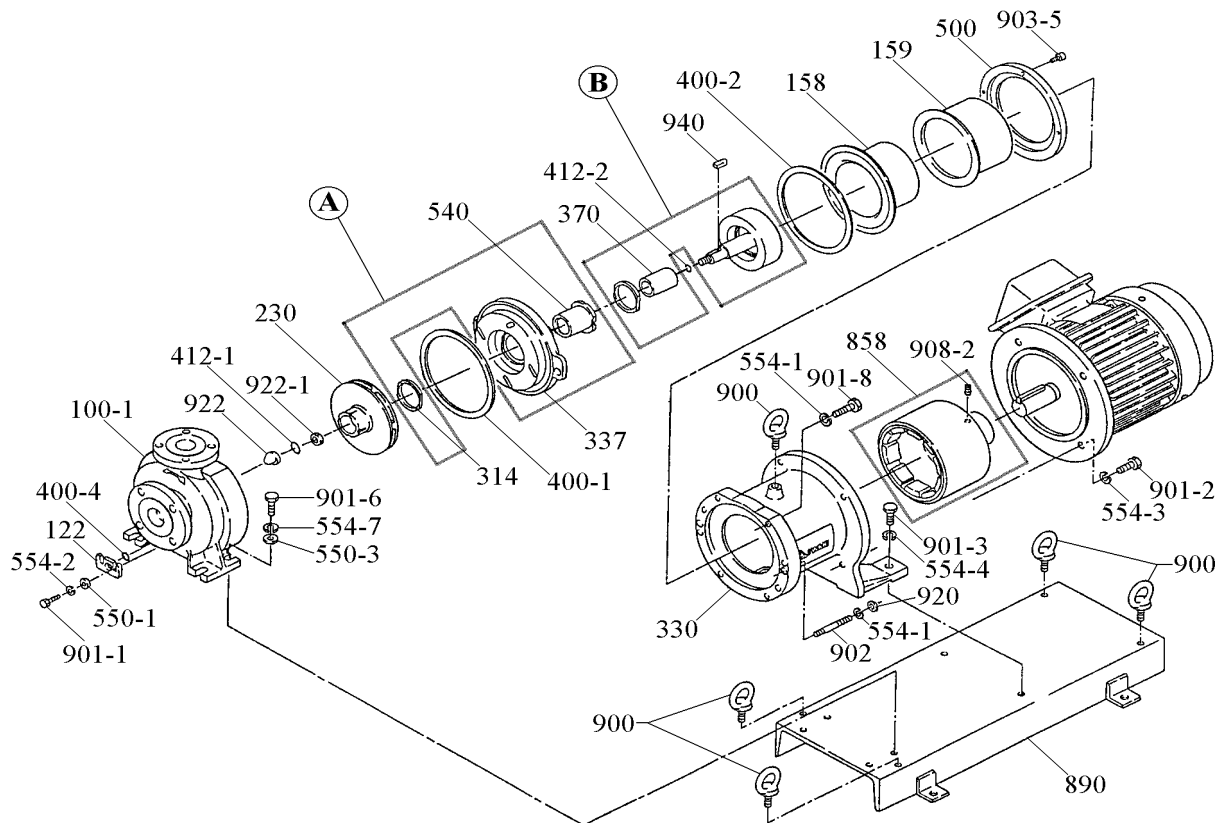


MDE 65-160 EKZF•PKZF

No. 59-084
Mar. 01, 2006

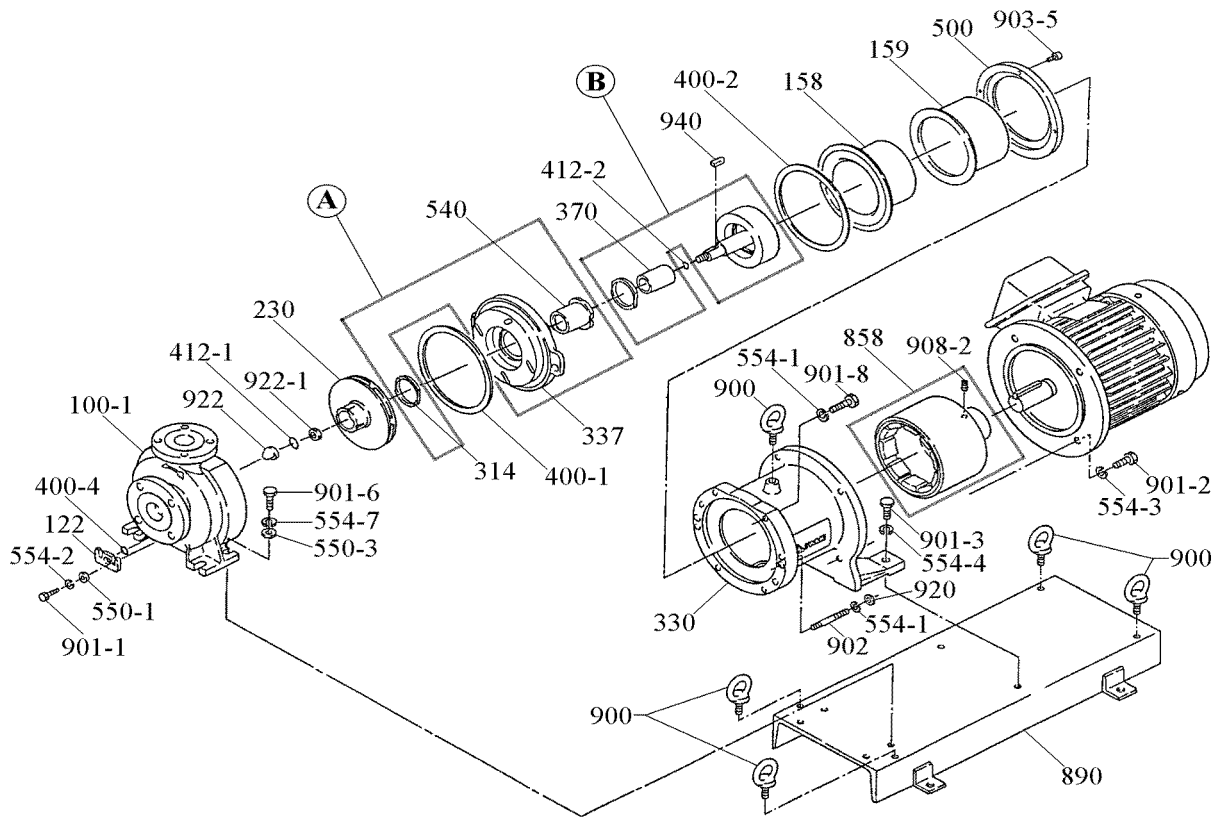


Item	Description	Type	Q'ty	Material	MDE 65-160 "EKZF"		MDE 65-160 "PKZF"		
					Part No.	Part No.	Part No.	Part No.	
100-1	Front Casing Unit (ISO)	E	1	ETFE+FCD 400	MDE0456				
		P	1	PFA+FCD 400			MDE0767		
122	Drain Plate		1	Steel	MDE0148		ī		
158	Rear Casing		1	PFA	MDE0458		ī		
159	Rear Casing Cover		1	FRP	MDE0459		ī		
230	Impeller	Ø 190 mm	160	1	CFRETFE+S4 equiv.	MDE0719			
		Ø 180 mm	150	1	CFRETFE+S4 equiv.	MDE0720			
		Ø 170 mm	140	1	CFRETFE+S4 equiv.	MDE0721			
		Ø 160 mm	130	1	CFRETFE+S4 equiv.	MDE0722			
		Ø 150x160 mm	120	1	CFRETFE+S4 equiv.	MDE0723			
		Ø 190 mm	160	1	PFA+S4 equiv.			MDE0762	
		Ø 180 mm	150	1	PFA+S4 equiv.			MDE0763	
		Ø 170 mm	140	1	PFA+S4 equiv.			MDE0764	
	Ø 160 mm	130	1	PFA+S4 equiv.			MDE0765		
	Ø 150x160 mm	120	1	PFA+S4 equiv.			MDE0766		
314	Rear Thrust Ring		1	SiC	MDE0489		ī		
330	Bracket	18,5•22 kW (2-Pole)	1	FCD 400 (+Steel)	MDE0476		ī		
		(+900) (+Eye Bolt) 30•37 kW (2-Pole)	1	FCD 400 (+Steel)	MDE0477		ī		
337	Split Plate		1	PFA+FCD400	MDE0479		ī		
A	Split Plate Ass'y (314+337+540)		1	PFA+SiC+SiC	MDE0709		ī		
370	Sleeve		1	SiC	MDE0483		ī		
400-1	Gasket (Front)		1	PTFE	MDE0484		ī		
400-2	Gasket (Rear)		1	PTFE	MDE0485		ī		
400-4	Drain Gasket		1	PTFE	MDE0149		ī		
412-1	O-Ring (AS568-128)		1	Kalrez®	MDE0704		ī		
412-2	O-Ring (AS568-123)		1	Kalrez®	MDE0703		ī		
890	Base		1	Steel	MDE0519		ī		
922	Impeller Nut		1	CFRETFE+S4 equiv.	MDE0538				
			1	PFA+S4 equiv.			MDE0760		

⚠ Subject to change without prior notice! ⚠ Actual pump may differ from the exploded view!

MDE 50-200•65-160 E•P-F

No. 59-083c
Mar. 01, 2006



Item	Description	Q'ty	Material	MDE 50-200•65-160	
				Part No.	
500	Backup Ring	1	FCD 450	MDE0748	
540	Bearing	1	SiC	MDE0488	
550-1	Plate Washer (M8)	2	SUS304 equivalent	MDE0151	
550-3	" " (M12)	4	SUS304 equivalent	MDE0120	
554-1	Spring Washer (M16)	8	SUS304 equivalent	MDE0260	
554-2	" " (M8)	2	SUS304 equivalent	MDE0119	
554-3	" " (M16)	4	SUS304 equivalent	MDE0260	
554-4	" " (M16)	2	SUS304 equivalent	MDE0260	
554-7	" " (M12)	4	SUS304 equivalent	MDE0111	
858	Drive Magnet Unit	18,5 kW (2-Pole)	1	Rare Earth+Steel	MDE0507
		22 kW (2-Pole)	1	Rare Earth+Steel	MDE0510
		30 kW (2-Pole)	1	Rare Earth+Steel	MDE0512
		37 kW (2-Pole)	1	Rare Earth+Steel	MDE0513
B	Magnet Capsule Unit Assembly (Mag. Capsule+370+ Thrust)	18,5 kW (2-Pole)	1	R.Earth+PFA+SiC	MDE0514
		22 kW (2-Pole)	1	R.Earth+PFA+SiC	MDE0515
		30 kW (2-Pole)	1	R.Earth+PFA+SiC	MDE0516
		37 kW (2-Pole)	1	R.Earth+PFA+SiC	MDE0517
900	Eye Bolt (M16)	5	Steel	MDE0528	
901-1	Hex. Head Bolt (M8x20)	2	SUS304 equivalent	MDE0150	
901-2	" " " (M16x40) 18,5~37kW	4	SUS304 equivalent	MDE0529	
901-3	" " " (M16x35)	2	SUS304 equivalent	MDE0530	
901-6	" " " (M12x35)	4	SUS304 equivalent	MDE0110	
901-8	" " " (M16x70)	6	SUS304 equivalent	MDE0533	
902	Stud Bolt (M16x95)	2	SUS304 equivalent	MDE0534	
903-5	Hex. Socket Head Bolt (M8x20)	4	SUS304 equivalent	MDE0535	
908-2	Hex. Socket Setscrew (M8x10)	2	Steel	MDE0139	
920	Hexagon Nut (M16)	2	SUS304 equivalent	MDE0537	
922-1	Impeller Lock Nut	1	SUS304 equivalent	MDE0712	
940	Key	1	Steel	MDE0541	

⚠ Subject to change without prior notice! ⚠ Actual pump may differ from the exploded view!