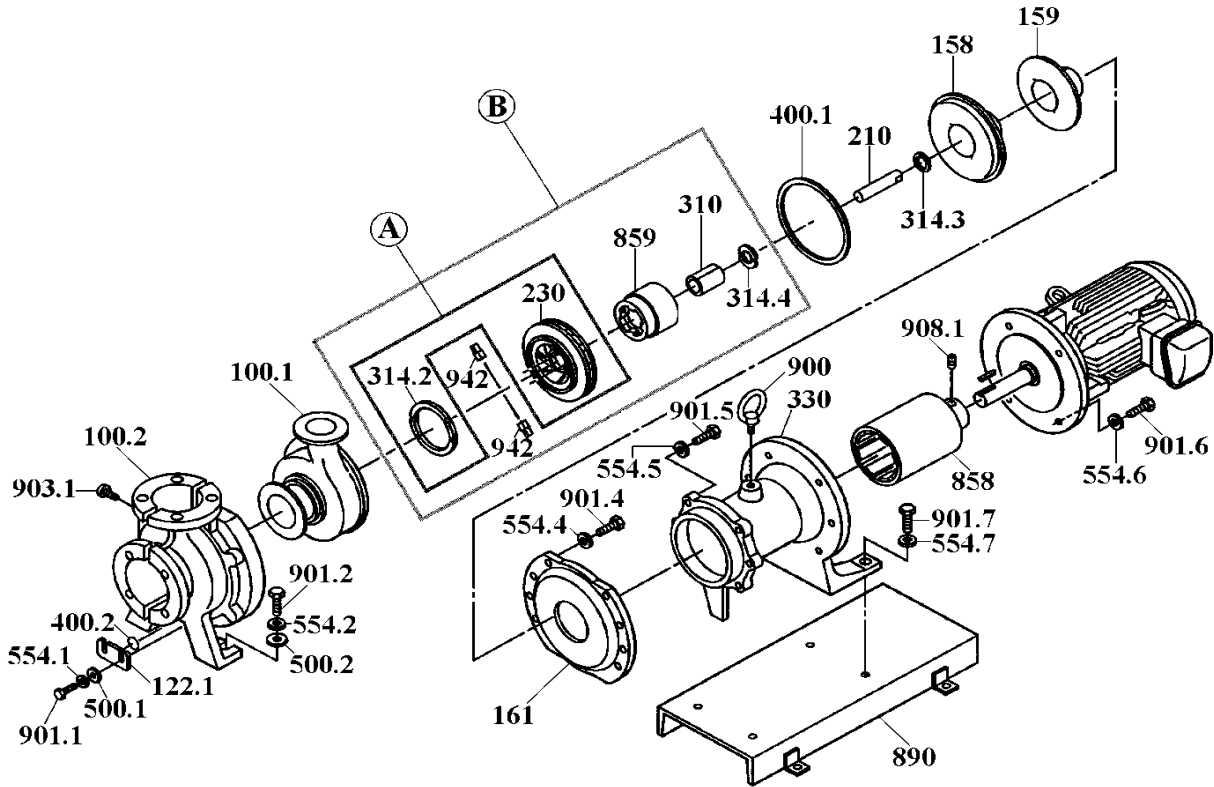


# MDM 25-1-ECFF•EKKF (ETFE)

No. 60-140  
Sep. 01, 2016



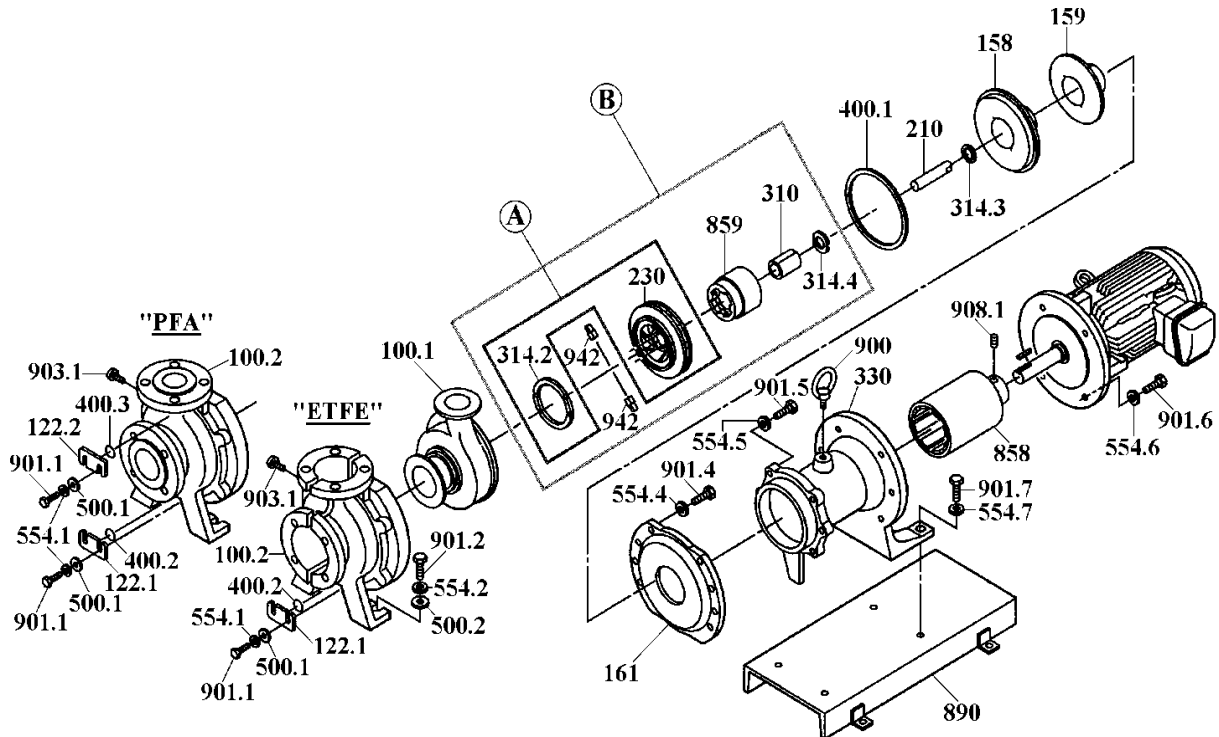
Item	Description	Q'ty	Remarks		MDM25-1-ECFF		MDM25-1-EKKF		
			ECFF	EKKF	Part No.	Code No.	Part No.	Code No.	
100.1	Front Casing (D•E) with Drain Hole	1	CFRETFE+CE		MDM0003	1230901510			
		1	CFRETFE+SiC				MDM0002	1230901520	
	Front Casing (A•B) without Drain Hole	1	CFRETFE+CE		MDM0006	1231224610			
		1	CFRETFE+SiC				MDM0005	1231224620	
100.2	*Cover Unit (ISO)	1		Ductile Iron	MDM0502	1210050800	↔	↔	
158	Rear Casing	1		CFRETFE	MDM0011	1220264500	↔	↔	
230	Impeller [E25-160] CFRETFE	50Hz	165	1	Ø 165 mm	MDM0067	1230898710	↔	↔
			160	1	Ø 160 mm	MDM0068	1230898720	↔	↔
			150	1	Ø 150 mm	MDM0069	1230898730	↔	↔
		50•60Hz	140	1	Ø 141 mm	MDM0070	1230898740	↔	↔
			130	1	Ø 130 mm	MDM0071	1230898750	↔	↔
		60Hz	120	1	Ø 120 mm	MDM0072	1230898760	↔	↔
			110	1	Ø 110 mm	MDM0073	1230898770	↔	↔
			100	1	Ø 100 mm	MDM0109	1230898780	↔	↔
314.2	Mouth Ring	1	PTFE	SiC	MDM0019	1240687000	MDM0018	1240684600	
A	Impeller+Mouth Ring Assembly [E25-160] (230+314.2)	165	1	Ø 165 mm	MDM0093	1230900010	MDM0074	1230900110	
		160	1	Ø 160 mm	MDM0094	1230900020	MDM0075	1230900120	
		150	1	Ø 150 mm	MDM0095	1230900030	MDM0076	1230900130	
		140	1	Ø 141 mm	MDM0096	1230900040	MDM0077	1230900140	
		130	1	Ø 130 mm	MDM0097	1230900050	MDM0078	1230900150	
		120	1	Ø 120 mm	MDM0098	1230900060	MDM0079	1230900160	
		110	1	Ø 110 mm	MDM0099	1230900070	MDM0080	1230900170	
		100	1	Ø 100 mm	MDM0100	1230900080	MDM0081	1230900180	
210	Spindle	1	CE	SiC	MDM0015	1240685100	MDM0014	1240685200	
310	Bearing	1	Carbon	SiC	MDM0017	1240684700	MDM0016	1240684800	
314.3	Rear Thrust Ring	1	PTFE		MDM0020	1240685300	↔	↔	
314.4	Rear Ring	1	CE	SiC	MDM0022	1240684900	MDM0021	1240685000	
859	Mag. Capsule (1.5•2,2kW)	1	CFRETFE+Mg		MDM0034	1230896900	↔	↔	
B	Impeller+Magnet Capsule Ass'y [E3] (230+310+314.2+314.4+859+942)	165	1	Ø 165 mm	MDM0101	2270132010	MDM0085	2270132110	
		100~160	1	Ø100~160mm	<Specify impeller size.>		<Specify impeller size.>		

\*Note: "Cover Unit" is furnished with 5 x Cap Bolt (903.1).

⚠ Subject to change without prior notice! ⚠ Actual pump may differ from the exploded view!

# MDM 25-1-ECFF•EKKF•PKKF (ETFE•PFA)

No. 60-141c  
Sep. 01, 2016



Item	Description	Quantity		Material	Part No.	Code No.
		ETFE	PFA			
122.1	Drain Plate	1	1	Steel	MDM0009	1240485700
122.2	Air Vent Plate		1	Steel	MDM0009	1240485700
159	Rear Casing Cover	1	1	FRP	MDM0012	1220264700
161	Rear Casing Support	1	1	Ductile Iron	MDM0013	1220264800
330	Foot Support (1,5•2,2kW)	IEC90	1	Ductile Iron	MDM0023	1220264000
400.1	Gasket	1	1	PTFE	MDM0024	1230896000
400.2	Drain Gasket	D•E	1	PTFE	MDM0025	1240485900
400.3	Air Vent Gasket	D•E	1	PTFE	MDM0025	1240485900
*858	Drive Magnet Unit	1,5 kW [DJ2]	1	Steel+R.E.Mag.	MDM0031	1220278400
<*See note>		2,2 kW [DJ3]	1	Steel+R.E.Mag.	MDM0032	1220278500
890	Base Plate	A•D	1	Steel	MDM0035	1230895900
900	Eye Bolt (M12)		1	Steel	MDM0036	0150800003
942	Impeller Pin		2	PFA	MDM0045	1240685400
*500.1	Plate Washer (Drain•Air Vent Plate) M8		2	A4 (SUS316 eq.)	MDM0026	0153500074
*500.2	Plate Washer (Base) M12	A•D	2	A4 (SUS316 eq.)	MDM0027	0153500029
*554.1	Spring Washer (Drain•Air Vent Plate) M8		2	A4 (SUS316 eq.)	MDM0028	0154100057
*554.2	Spring Washer (Base) M12	A•D	2	A4 (SUS316 eq.)	MDM0029	0154100024
*554.4	Spring Washer (Cover) M10		6	A4 (SUS316 eq.)	MDM0030	0154100022
*554.5	Spring Washer (Rear C. Support) M10		4	A4 (SUS316 eq.)	MDM0030	0154100022
*554.6	Spring Washer (Motor) M10		4	A4 (SUS316 eq.)	MDM0030	0154100022
*554.7	Spring Washer (Base) M12	A•D	2	A4 (SUS316 eq.)	MDM0029	0154100024
*901.1	Hex. Bolt (Drain•Air Vent Plate) M8x20		2	A4 (SUS316 eq.)	MDM0037	0150100163
*901.2	Hex. Bolt (Base) M12x30	A•D	2	A4 (SUS316 eq.)	MDM0042	0150100206
*901.4	Hex. Bolt (Cover) M10x40		6	A4 (SUS316 eq.)	MDM0039	0150100184
*901.5	Hex. Bolt (Rear Casing Support) M10x30		4	A4 (SUS316 eq.)	MDM0040	0150100182
**901.6	Hex. Bolt (Motor) M10x30		4	A4 (SUS316 eq.)	MDM0040	0150100182
*901.7	Hex. Bolt (Base) M12x30	A•D	2	A4 (SUS316 eq.)	MDM0042	0150100206
**903.1	Cap Bolt (Cover) M6x20		5	A4 (SUS316 eq.)	MDM0043	0150300093
908.1	Setscrew (Drive Magnet Unit) M8x10		2	Steel	MDM0044	0152100046

\*Note: "Drive Magnet Unit" is furnished with 2 x Setscrew (908.1).

⚠ Subject to change without prior notice! ⚠ Actual pump may differ from the exploded view!