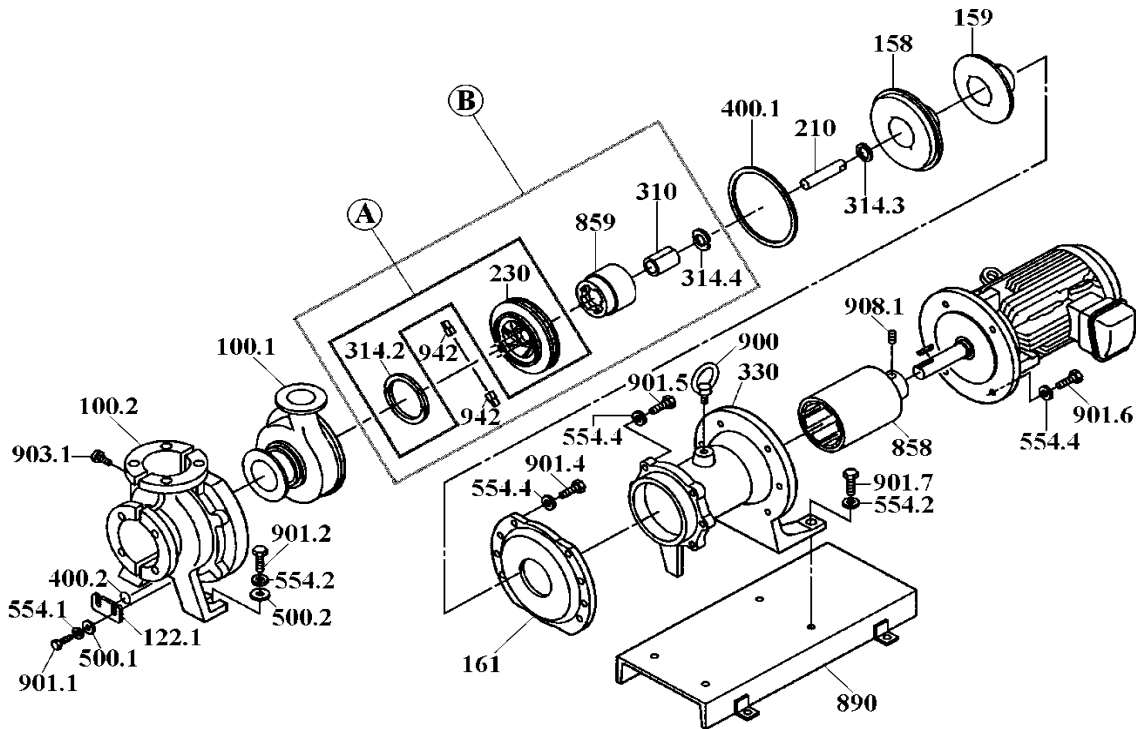


MDM 25-2-ECFF•EKKF (ETFE)

No. 60-143
Sep. 01, 2016



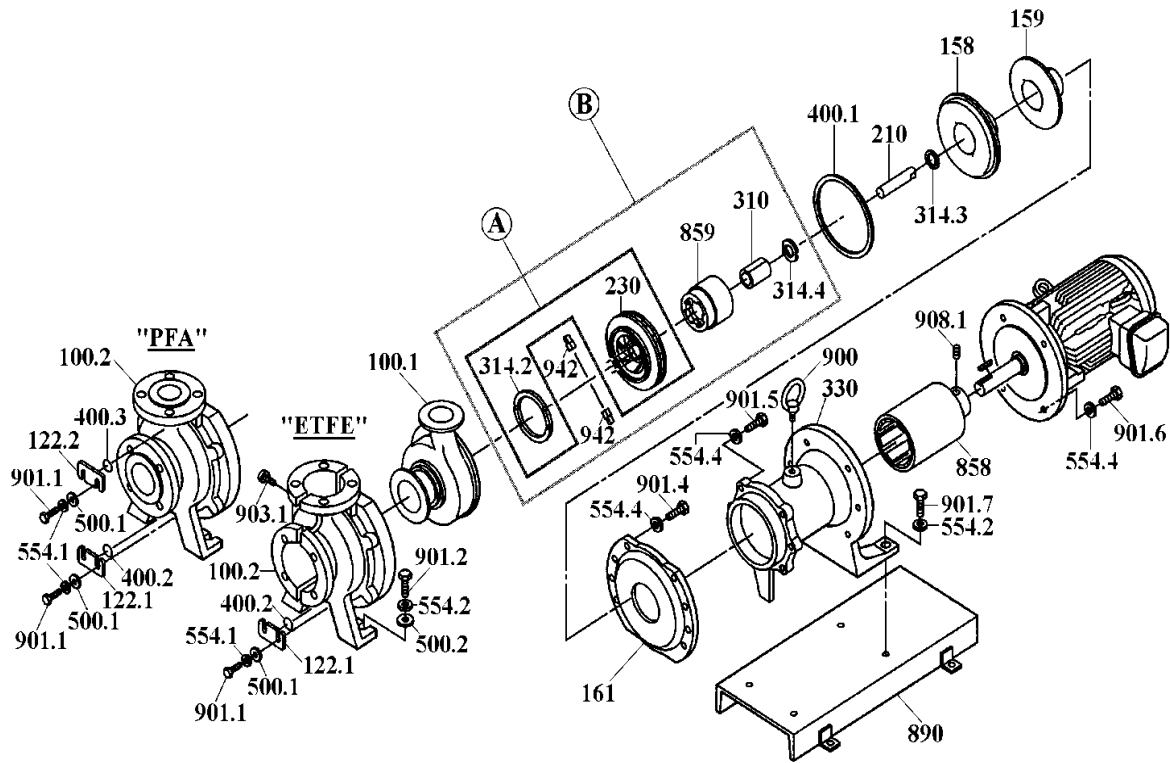
Item	Description	Q'ty	Remarks		MDM25-2-ECFF		MDM25-2-EKKF		
			ECFF	EKKF	Part No.	Code No.	Part No.	Code No.	
100.1	Front Casing (D•E) with Drain Hole	1	CFRETFE+CE		MDM0111	1230901610			
		1	CFRETFE+SiC				MDM0110	1230901620	
	Front Casing (A•B) without Drain Hole	1	CFRETFE+CE		MDM0113	1231224710			
		1	CFRETFE+SiC				MDM0112	1231224720	
100.2	*Cover Unit (ISO)	1	Ductile Iron		MDM0500	1210029000	↔	↔	
158	Rear Casing	1	CFRETFE		MDM0118	1220265300	↔	↔	
230	Impeller [E25-200] CFRETFE	50Hz	195	1	Ø 195 mm	MDM0163	1230899210	↔	↔
			190	1	Ø 190 mm	MDM0164	1230899220	↔	↔
			180	1	Ø 180 mm	MDM0165	1230899230	↔	↔
		50•60Hz	170	1	Ø 170 mm	MDM0166	1230899240	↔	↔
			160	1	Ø 160 mm	MDM0167	1230899250	↔	↔
			150	1	Ø 150 mm	MDM0168	1230899260	↔	↔
		60Hz	140	1	Ø 140 mm	MDM0169	1230899270	↔	↔
			130	1	Ø 130 mm	MDM0170	1230899280	↔	↔
314.2	Mouth Ring	1	PTFE	SiC	MDM0019	1240687000	MDM0018	1240684600	
A	Impeller+Mouth Ring Assembly [E25-200] (230+314.2)	195	1	Ø 195 mm	MDM0187	1230900310	MDM0171	1230900410	
		190	1	Ø 190 mm	MDM0188	1230900320	MDM0172	1230900420	
		180	1	Ø 180 mm	MDM0189	1230900330	MDM0173	1230900430	
		170	1	Ø 170 mm	MDM0190	1230900340	MDM0174	1230900440	
		160	1	Ø 160 mm	MDM0191	1230900350	MDM0175	1230900450	
		150	1	Ø 150 mm	MDM0192	1230900360	MDM0176	1230900460	
		140	1	Ø 140 mm	MDM0193	1230900370	MDM0177	1230900470	
		130	1	Ø 130 mm	MDM0194	1230900380	MDM0178	1230900480	
210	Spindle	1	CE	SiC	MDM0122	1240680100	MDM0121	1240680200	
310	Bearing	1	Carbon	SiC	MDM0124	1240682400	MDM0123	1240680900	
314.3	Rear Thrust Ring	1	PTFE		MDM0125	1240681100	↔	↔	
314.4	Rear Ring	1	CE	SiC	MDM0127	1240680700	MDM0126	1240680800	
859	Magnet Capsule	4,0•5,5 kW [7]	1	CFRETFE+Mg.	MDM0134	1230894410	↔	↔	
		7,5 kW [10]	1	CFRETFE+Mg.	MDM0288	1230894420	↔	↔	
B	Impeller+Magnet Capsule Ass'y (230+310+314.2+ 314.4+859+942)	195	1	4,0•5,5 kW	MDM0195	2270132310	MDM0179	2270132410	
		130~190	1	4,0•5,5 kW	<Specify impeller size.>		<Specify impeller size.>		
		195	1	7,5 kW	MDM0572	2270139910	MDM0564	2270140010	
		130~190	1	7,5 kW	<Specify impeller size.>		<Specify impeller size.>		

*Note: "Cover Unit" is furnished with 5 x Cap Bolt (903.1).

⚠ Subject to change without prior notice! ⚠ Actual pump may differ from the exploded view!

MDM 25-2-ECFF•EKKF•PKKF (ETFE•PFA)

No. 60-144c
Sep. 01, 2016



Item	Description	Quantity		Material	Part No.	Code No.		
		ETFE	PFA					
122.1	Drain Plate	1	1	Steel	MDM0009	1240485700		
122.2	Air Vent Plate		1	Steel	MDM0009	1240485700		
159	Rear Casing Cover	1	1	FRP	MDM0119	1220262400		
161	Rear Casing Support	1	1	Ductile Iron	MDM0120	1220260300		
330	Foot Support	4,0 kW (IEC112)	1	1	Ductile Iron	MDM0128	1220260400	
		5,5•7,5 kW (IEC132)	1	1	Ductile Iron	MDM0129	1220260500	
400.1	Gasket	1	1	PTFE	MDM0130	1230889600		
400.2	Drain Gasket	D•E	1	1	PTFE	MDM0025	1240485900	
400.3	Air Vent Gasket	D•E		1	PTFE	MDM0025	1240485900	
*858	Drive Magnet Unit < *See note >	4,0 kW [DJ5]	1	1	Steel+R.E.Mag.	MDM0131	1220278700	
		5,5 kW [DJ7]	1	1	Steel+R.E.Mag.	MDM0132	1220280020	
		7,5 kW [DJ10]	1	1	Steel+R.E.Mag.	MDM0286	1220280030	
890	Base Plate	A•D	1	1	Steel	MDM0135	1230891800	
900	Eye Bolt (M12)		1	1	Steel	MDM0036	0150800003	
942	Impeller Pin		2	2	PFA	MDM0138	1240681900	
*500.1	Plate Washer (Drain•Air Vent Plate) M8		2	4	A4 (SUS316 eq.)	MDM0026	0153500074	
*500.2	Plate Washer (Base) M12	A•D	2	2	A4 (SUS316 eq.)	MDM0027	0153500029	
*554.1	Spring Washer (Drain•Air Vent Plate) M8		2	4	A4 (SUS316 eq.)	MDM0028	0154100057	
*554.2	Spring Washer (Base) M12	A•D	4	4	A4 (SUS316 eq.)	MDM0029	0154100024	
*554.4	" " (Cover•Rear C.Support•Motor) M12		16	16	A4 (SUS316 eq.)	MDM0029	0154100024	
*901.1	Hex. Bolt (Drain•Air Vent Plate) M8x20		2	4	A4 (SUS316 eq.)	MDM0037	0150100163	
*901.2	Hex. Bolt (Base) M12x40	A•D	2	2	A4 (SUS316 eq.)	MDM0555	0150100208	
*901.4	Hex. Bolt (Cover) M12x45		8	8	A4 (SUS316 eq.)	MDM0137	0150100209	
*901.5	Hex. Bolt (Rear Casing Support) M12x35		4	4	A4 (SUS316 eq.)	MDM0136	0150100207	
*901.6	Hex. Bolt (Motor)	4,0 kW	M12x40	4	4	A4 (SUS316 eq.)	MDM0555	0150100208
		5,5•7,5 kW	M12x45	4	4	A4 (SUS316 eq.)	MDM0137	0150100209
*901.7	Hex. Bolt (Base) M12x40	A•D	2	2	A4 (SUS316 eq.)	MDM0555	0150100208	
**903.1	Cap Bolt (Cover) M6x20		5		A4 (SUS316 eq.)	MDM0043	0150300093	
908.1	Setscrew (Drive Magnet Unit) M8x10		2	2	Steel	MDM0044	0152100046	

*Note: "Drive Magnet Unit" is furnished with 2 x Setscrew (908.1).

⚠ Subject to change without prior notice! ⚠ Actual pump may differ from the exploded view!