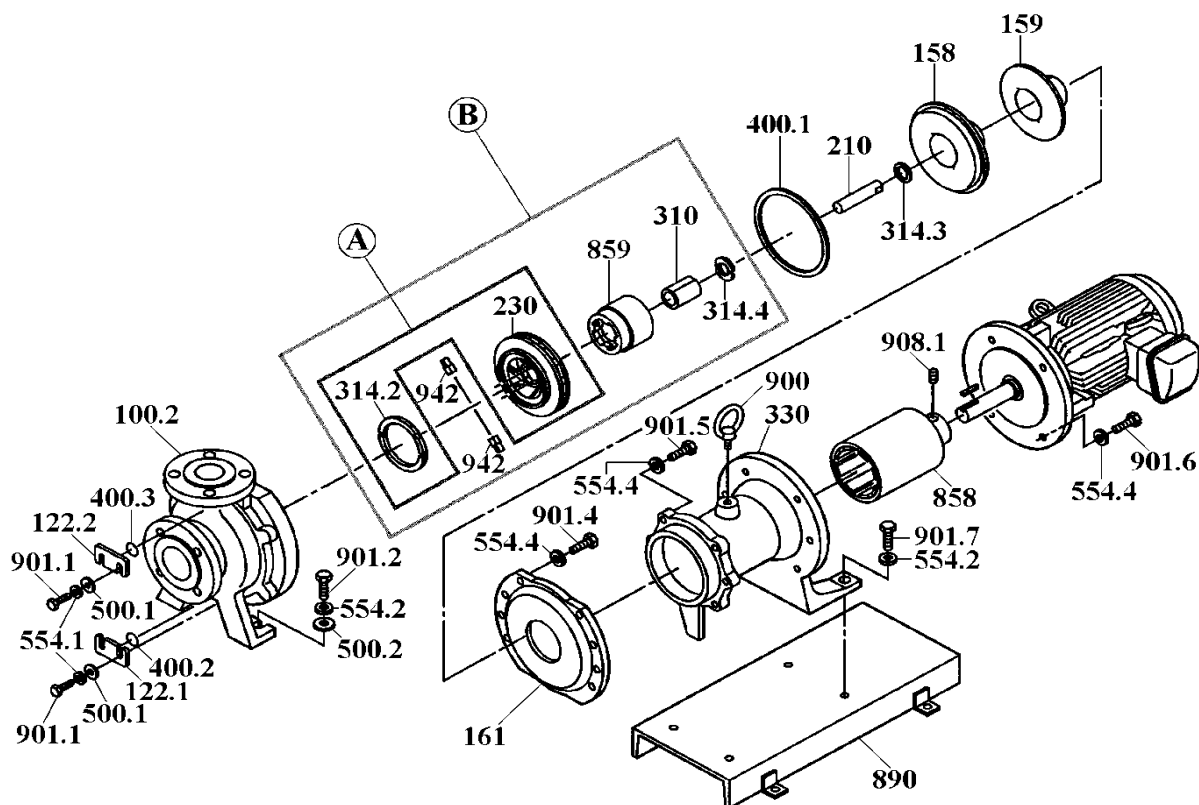


MDM 25-2-PKKF (PFA)

No. 60-145
Sep. 01, 2016

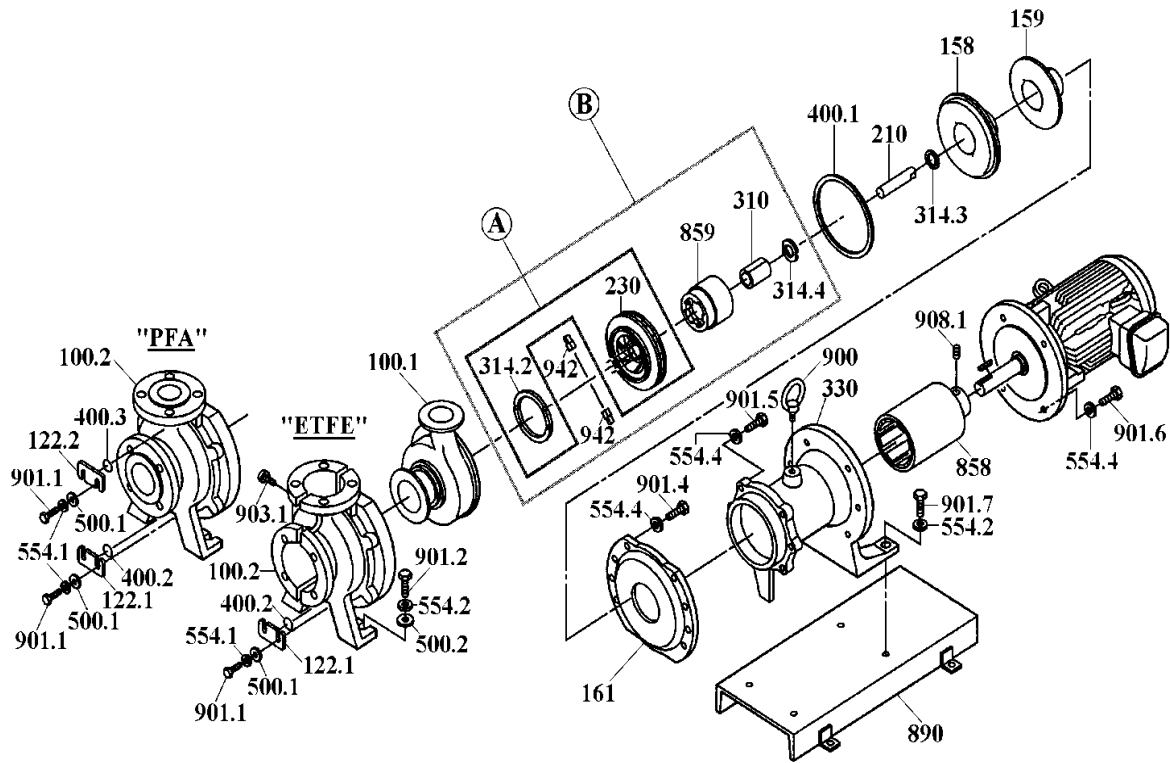


Item	Description		Q'ty	Material	Part No.	Code No.		
100.2	Front Casing	with Air/Drain Holes (D•E)	1	PFA+SiC+FCD	MDM0499	1230901220		
	Unit (ISO)	without " " (A•B)	1	PFA+SiC+FCD	MDM0509	1230901240		
158	Rear Casing		1	PFA	MDM0117	1220263300		
230	Impeller [P25-200]	50Hz	195	Ø 195 mm	1	PFA	MDM0139	1230899410
			190	Ø 190 mm	1	PFA	MDM0140	1230899420
			180	Ø 180 mm	1	PFA	MDM0141	1230899430
		50•60Hz	170	Ø 170 mm	1	PFA	MDM0142	1230899440
			160	Ø 160 mm	1	PFA	MDM0143	1230899450
		60Hz	150	Ø 150 mm	1	PFA	MDM0144	1230899460
			140	Ø 140 mm	1	PFA	MDM0145	1230899470
314.2	Mouth Ring		1	SiC	MDM0018	1240684600		
A	Impeller+Mouth Ring Assembly [P25-200] (230+314.2)	195	Ø 195 mm	1	PFA+SiC	MDM0147	1230900510	
		190	Ø 190 mm	1	PFA+SiC	MDM0148	1230900520	
		180	Ø 180 mm	1	PFA+SiC	MDM0149	1230900530	
		170	Ø 170 mm	1	PFA+SiC	MDM0150	1230900540	
		160	Ø 160 mm	1	PFA+SiC	MDM0151	1230900550	
		150	Ø 150 mm	1	PFA+SiC	MDM0152	1230900560	
		140	Ø 140 mm	1	PFA+SiC	MDM0153	1230900570	
130	Ø 130 mm	1	PFA+SiC	MDM0154	1230900580			
210	Spindle		1	SiC	MDM0121	1240680200		
310	Bearing		1	SiC	MDM0123	1240680900		
314.3	Rear Thrust Ring		1	PTFE (Natural)	MDM0614	1240690700		
314.4	Rear Ring		1	SiC	MDM0126	1240680800		
859	Magnet Capsule Unit	4,0•5,5 kW [P7]	1	PFA+R.E.Mag.	MDM0133	1230897010		
		7,5 kW [P10]	1	PFA+R.E.Mag.	MDM0287	1230897020		
B	Impeller+Magnet Capsule Assembly (230+310+314.2+314.4+ 859+942)	195	4,0•5,5 kW	1	PFA+SiC+Mag.	MDM0155	2270132510	
		130~190	4,0•5,5 kW	1	PFA+SiC+Mag.	<Specify impeller size.>		
		195	7,5 kW	1	PFA+SiC+Mag.	MDM0556	2270140110	
		130~190	7,5 kW	1	PFA+SiC+Mag.	<Specify impeller size.>		

⚠ Subject to change without prior notice! ⚠ Actual pump may differ from the exploded view!

MDM 25-2-ECFF•EKKF•PKKF (ETFE•PFA)

No. 60-144c
Sep. 01, 2016



Item	Description	Quantity		Material	Part No.	Code No.		
		ETFE	PFA					
122.1	Drain Plate	1	1	Steel	MDM0009	1240485700		
122.2	Air Vent Plate		1	Steel	MDM0009	1240485700		
159	Rear Casing Cover	1	1	FRP	MDM0119	1220262400		
161	Rear Casing Support	1	1	Ductile Iron	MDM0120	1220260300		
330	Foot Support	4,0 kW (IEC112)	1	1	Ductile Iron	MDM0128	1220260400	
		5,5•7,5 kW (IEC132)	1	1	Ductile Iron	MDM0129	1220260500	
400.1	Gasket	1	1	PTFE	MDM0130	1230889600		
400.2	Drain Gasket	D•E	1	1	PTFE	MDM0025	1240485900	
400.3	Air Vent Gasket	D•E		1	PTFE	MDM0025	1240485900	
*858	Drive Magnet Unit < *See note >	4,0 kW [DJ5]	1	1	Steel+R.E.Mag.	MDM0131	1220278700	
		5,5 kW [DJ7]	1	1	Steel+R.E.Mag.	MDM0132	1220280020	
		7,5 kW [DJ10]	1	1	Steel+R.E.Mag.	MDM0286	1220280030	
890	Base Plate	A•D	1	1	Steel	MDM0135	1230891800	
900	Eye Bolt (M12)		1	1	Steel	MDM0036	0150800003	
942	Impeller Pin		2	2	PFA	MDM0138	1240681900	
*500.1	Plate Washer (Drain•Air Vent Plate) M8		2	4	A4 (SUS316 eq.)	MDM0026	0153500074	
*500.2	Plate Washer (Base) M12	A•D	2	2	A4 (SUS316 eq.)	MDM0027	0153500029	
*554.1	Spring Washer (Drain•Air Vent Plate) M8		2	4	A4 (SUS316 eq.)	MDM0028	0154100057	
*554.2	Spring Washer (Base) M12	A•D	4	4	A4 (SUS316 eq.)	MDM0029	0154100024	
*554.4	" " (Cover•Rear C.Support•Motor) M12		16	16	A4 (SUS316 eq.)	MDM0029	0154100024	
*901.1	Hex. Bolt (Drain•Air Vent Plate) M8x20		2	4	A4 (SUS316 eq.)	MDM0037	0150100163	
*901.2	Hex. Bolt (Base) M12x40	A•D	2	2	A4 (SUS316 eq.)	MDM0555	0150100208	
*901.4	Hex. Bolt (Cover) M12x45		8	8	A4 (SUS316 eq.)	MDM0137	0150100209	
*901.5	Hex. Bolt (Rear Casing Support) M12x35		4	4	A4 (SUS316 eq.)	MDM0136	0150100207	
*901.6	Hex. Bolt (Motor)	4,0 kW	M12x40	4	4	A4 (SUS316 eq.)	MDM0555	0150100208
		5,5•7,5 kW	M12x45	4	4	A4 (SUS316 eq.)	MDM0137	0150100209
*901.7	Hex. Bolt (Base) M12x40	A•D	2	2	A4 (SUS316 eq.)	MDM0555	0150100208	
**903.1	Cap Bolt (Cover) M6x20		5		A4 (SUS316 eq.)	MDM0043	0150300093	
908.1	Setscrew (Drive Magnet Unit) M8x10		2	2	Steel	MDM0044	0152100046	

*Note: "Drive Magnet Unit" is furnished with 2 x Setscrew (908.1).

⚠ Subject to change without prior notice! ⚠ Actual pump may differ from the exploded view!