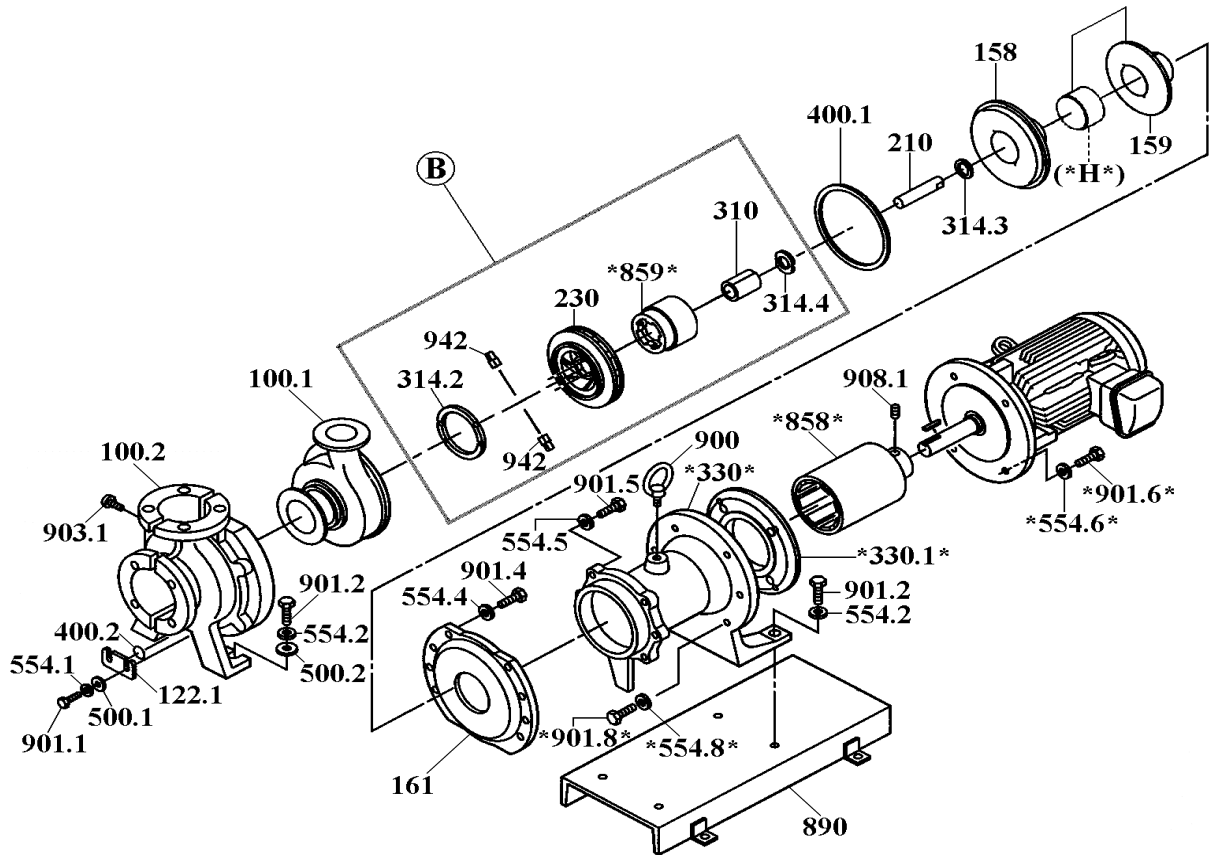


MDM25-3•32-2 <ECF> "4-Pole" (50Hz)

No. 60-063
Mar. 01, 2006



Item	Description	Q'ty	Motor Output	ETFE (ECF)		
				Part No.	Code No.	
B	Impeller+Magnet Capsule Ass'y [Ø225mm] (230+310+314.2+314.4+859+942)	1	1,5•2,2kW-4P	MDM0926	2270204410	
		1	4,0kW-4P	MDM0934	2270204510	
		1	5,5kW-4P	MDM0942	2270204610	
		1	1,5kW-4P	MDM0620	1220274000	
330	Foot Support	1	2,2•4,0kW-4P	MDM0128	1220260400	
		1	5,5kW-4P	MDM0129	1220260500	
		1	1,5kW-4P	MDM0621	1230961500	
330.1	Motor Adapter	1	1,5kW-4P	MDM0621	1230961500	
*858	Drive Magnet Unit <*See note>	<4DJ2>	1,5kW-4P	MDM0622	1220280210	
		<4DJ3>	2,2kW-4P	MDM0623	1220280220	
		<4DJ5>	4,0kW-4P	MDM0624	1220280230	
		<4DJ7>	5,5kW-4P	MDM0737	1220291600	
859	Magnet Capsule	1	1,5•2,2kW-4P	MDM0134	1230894410	
		1	4,0kW-4P	MDM0288	1230894420	
		1	5,5kW-4P	MDM0470	1230894500	
901.6	Hex. Head Bolt	M10x25	4	1,5kW-4P	MDM0041	0150100181
		M12x40	4	2,2•4,0kW-4P	MDM0555	0150100208
		M12x45	4	5,5kW-4P	MDM0137	0150100209
901.8	Hex. Head Bolt	M10x35	4	1,5kW-4P	MDM0625	0150100183
554.6	Spring Washer	M10	4	1,5kW-4P	MDM0030	0154100022
554.8	Spring Washer	M10	4	1,5kW-4P	MDM0030	0154100022

*Note: "Drive Magnet Unit" is furnished with 2 x Setscrew (908.1).

⚠ Subject to change without prior notice! ⚠ Actual pump may differ from the exploded view!