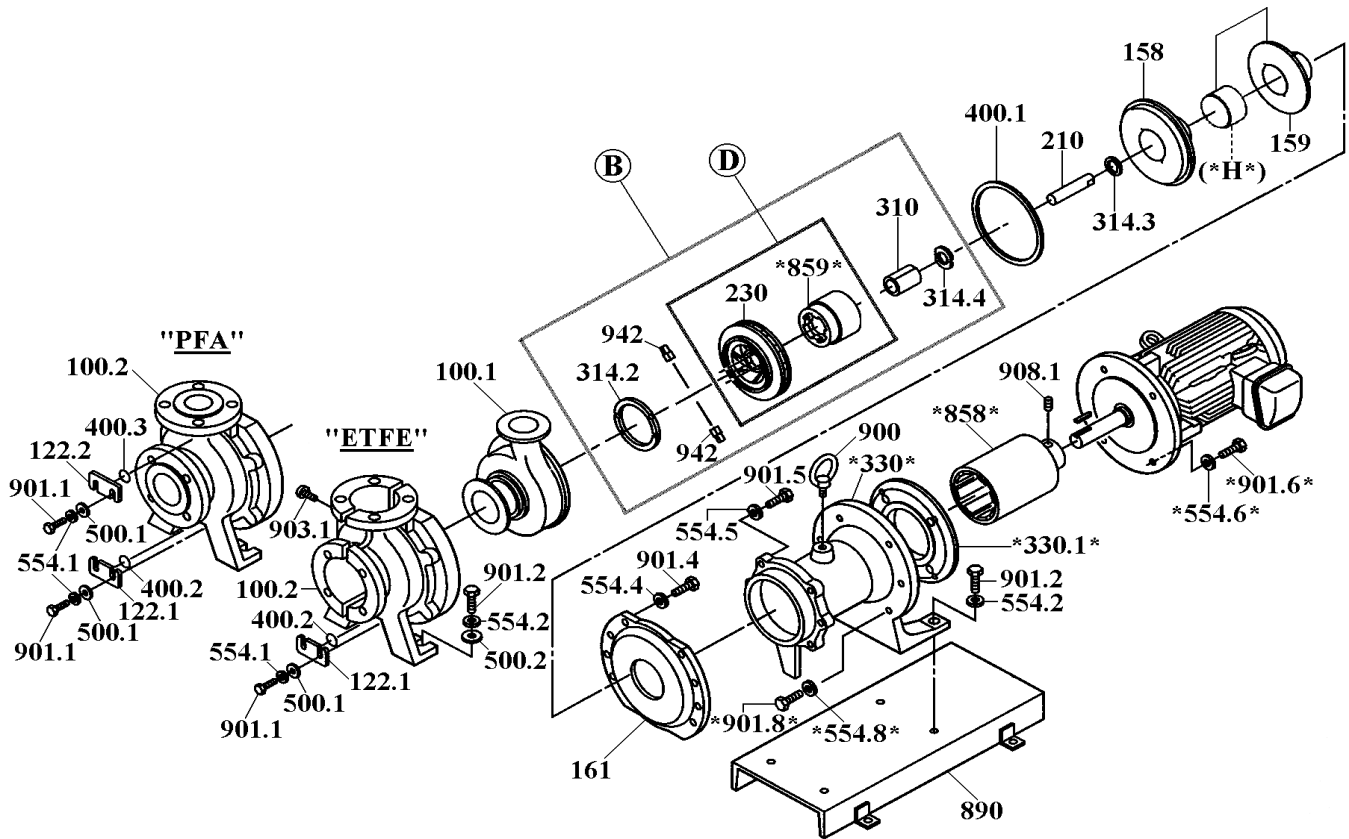


MDM25-3•32-2 <E/P-KK> "4-Pole" (50Hz)

No. 60-064
Mar. 01, 2006



Item	Description	Q'ty	Motor Output	ETFE (EKK)		PFA (PKK)	
				Part No.	Code No.	Part No.	Code No.
B	Impeller+Magnet Capsule Ass'y [Ø225mm] (230+310+314.2+ 314.4+859+942)	1	1,5•2,2kW-4P	MDM0780	2270193010	MDM0748	2270193310
		1	4,0kW-4P	MDM0788	2270193110	MDM0756	2270193410
		1	5,5kW-4P	MDM0796	2270193210	MDM0861	2270193510
330	Foot Support	1	1,5kW-4P	MDM0620	1220274000	ï	ï
		1	2,2•4,0kW-4P	MDM0128	1220260400	ï	ï
		1	5,5kW-4P	MDM0129	1220260500	ï	ï
330.1	Motor Adapter	1	1,5kW-4P	MDM0621	1230961500	ï	ï
*858	Drive Magnet Unit <*See note>	<4DJ2>	1,5kW-4P	MDM0622	1220280210	ï	ï
		<4DJ3>	2,2kW-4P	MDM0623	1220280220	ï	ï
		<4DJ5>	4,0kW-4P	MDM0624	1220280230	ï	ï
		<4DJ7>	5,5kW-4P	MDM0737	1220291600	ï	ï
859	Magnet Capsule	1	1,5•2,2kW-4P	MDM0134	1230894410	MDM0133	1230897010
		1	4,0kW-4P	MDM0288	1230894420	MDM0287	1230897020
		1	5,5kW-4P	MDM0470	1230894500	MDM0469	1230897100
901.6	Hex. Head Bolt	M10x25	4, 1,5kW-4P	MDM0041	0150100181	ï	ï
		M12x40	4, 2,2•4,0kW-4P	MDM0555	0150100208	ï	ï
		M12x45	4, 5,5kW-4P	MDM0137	0150100209	ï	ï
901.8	Hex. Head Bolt	M10x35	4, 1,5kW-4P	MDM0625	0150100183	ï	ï
554.6	Spring Washer	M10	4, 1,5kW-4P	MDM0030	0154100022	ï	ï
554.8	Spring Washer	M10	4, 1,5kW-4P	MDM0030	0154100022	ï	ï
D	Impeller+Magnet Capsule Unit [Ø225mm] (230+859) <PFA "H" Type only>	1	1,5•2,2kW-4P			MDM0804	1231039410
		1	4,0kW-4P			MDM0812	1231039510
		1	5,5kW-4P			MDM0820	1231039610
B	Impeller+Magnet Capsule Ass'y [Ø225mm] <PFA "H" Type only>	1	1,5•2,2kW-4P			MDM0828	2270193610
		1	4,0kW-4P			MDM0836	2270193710
		1	5,5kW-4P			MDM0844	2270193810

*Note: "Drive Magnet Unit" is furnished with 2 x Setscrew (908.1).

△ Subject to change without prior notice! △ Actual pump may differ from the exploded view!