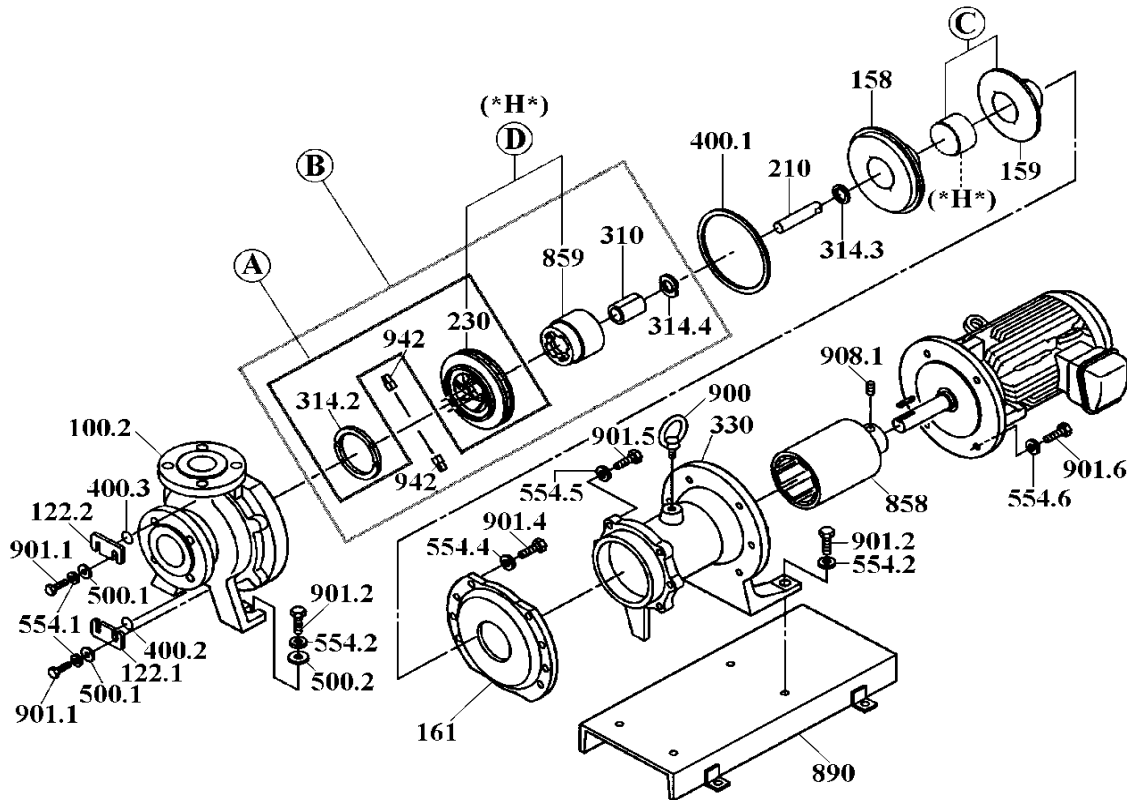


MDM 25-3-PKKF-(H) =PFA=

No. 60-158
Sep. 01, 2016



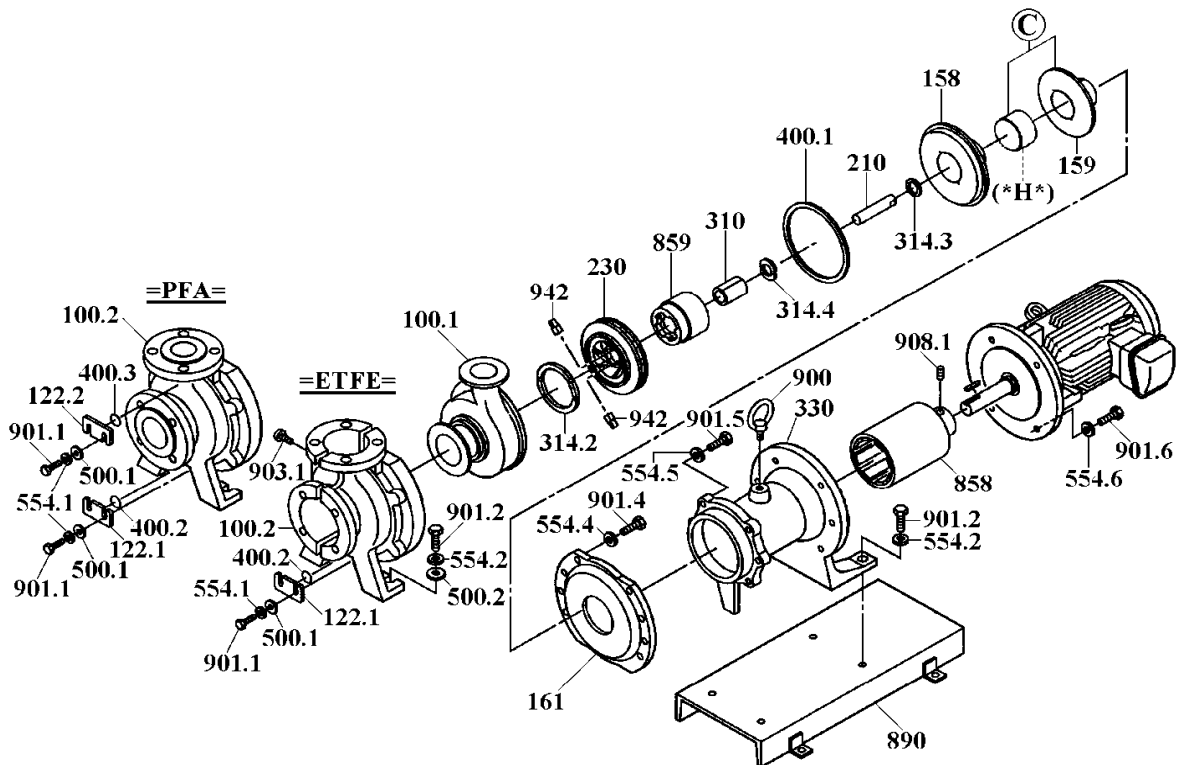
Item	Description	Q'ty	Remarks	MDM25-3-PKKF			MDM25-3-PKKF-*H*	
				Part No.	Code No.		Part No.	Code No.
100.2	Front Casing Unit (ISO)	with Air/Drain Hole	1	5,5•7,5kW	MDM0879	1231038120	↔	↔
		less Air/Drain Hole	1		MDM0880	1231038150	↔	↔
		with Air/Drain Hole	1	11,0•15,0kW	MDM0882	1231038220	↔	↔
		less Air/Drain Hole	1		MDM0883	1231038250	↔	↔
158	Rear Casing	1	PFA	MDM0730	1220290000	MDM0731	1231038700	
159	Rear Casing Cover	1	FRP	MDM0733	1220290200			
C	Rear Casing Cover Unit	1	FRP			MDM0907	1231063510	
230	Impeller <PFA> 50•60Hz [P32/40-2]	225	1	Ø 225 mm	MDM0740	1231039110		
		220	1	Ø 220 mm	MDM0741	1231039120		
		210	1	Ø 210 mm	MDM0742	1231039130		
		200	1	Ø 200 mm	MDM0743	1231039140		
		190	1	Ø 190 mm	MDM0744	1231039150		
314.2	Mouth Ring	1	SiC	MDM0488	1240683700	↔	↔	
A	Impeller+Mouth Ring Assembly (230+314.2)	1	Ø 225 mm	MDM0853	1231039210			
		1	Ø180~220mm	<Specify impeller size.>				
210	Spindle	1	SiC	MDM0372	1240680400	↔	↔	
310	Bearing	1	SiC	MDM0735	1240778300	↔	↔	
314.3	Rear Thrust Ring	1	PTFE (Natural)	MDM0615	1240690800	↔	↔	
314.4	Rear Ring	1	SiC	MDM0126	1240680800	↔	↔	
859	Magnet Capsule	5,5•7,5kW [P10]	1	PFA+R.E.Mag	MDM0287	1230897020		
		11,0•15,0kW [P15]	1	PFA+R.E.Mag	MDM0469	1230897100		
*D	Impeller+Magnet Capsule Unit (230+859) <•See note>	225	1	5,5•7,5 kW			MDM0812	1231039510
		180~220	1		<Specify impeller size.>			
		225	1	11,0•15,0 kW			MDM0820	1231039610
		180~220	1		<Specify impeller size.>			
B	Impeller+Magnet Capsule Ass'y (230+310+314.2+314.4+859+942)	225	1	5,5•7,5 kW	MDM0756	2270193410	MDM0836	2270193710
		180~220	1		<Specify impeller size.>			<Specify impeller size.>
		225	1	11,0•15,0 kW	MDM0861	2270193510	MDM0844	2270193810
		180~220	1		<Specify impeller size.>			<Specify impeller size.>

*Note: "Impeller" and "Magnet Capsule" are welded together and supplied in a unit.

⚠ Subject to change without prior notice! ⚠ Actual pump may differ from the exploded view!

MDM 25-3-E•P (ETFE•PFA)

No. 60-157c
Sep. 01, 2016



Item	Description		Quantity		Material	Part No.	Code No.
			ETFE	PFA			
122.1	Drain Plate		1	1	Steel	MDM0009	1240485700
122.2	Air Vent Plate			1	Steel	MDM0009	1240485700
161	Rear Casing Support		1	1	Ductile Iron	MDM0852	1220290300
330	Foot Support	5,5•7,5kW (IEC132)	1	1	Ductile Iron	MDM0129	1220260500
		11,0•15,0kW (IEC160)	1	1	Ductile Iron	MDM0467	1220260600
400.1	Gasket		1	1	PTFE	MDM0736	1231038000
400.2	Drain Gasket	D•E	1	1	PTFE	MDM0025	1240485900
400.3	Air Vent Gasket	D•E		1	PTFE	MDM0025	1240485900
*858	Drive Magnet Unit	5,5•7,5kW [DJ10]	1	1	Steel+R.E.Mag.	MDM0286	1220280030
		11,0•15,0kW [DJ15]	1	1	Steel+R.E.Mag.	MDM0738	1220291100
890	Base Plate (A•D)	5,5•7,5kW	1	1	Steel	MDM0135	1230891800
		11,0•15,0kW	1	1	Steel	MDM0471	1230889900
900	Eye Bolt (M12)		1	1	Steel	MDM0036	0150800003
942	Impeller Pin		2	2	PFA	MDM0138	1240681900
*500.1	Plate Washer (Drain•Air Vent Plate) M8		2	4	A4 (SUS316 eq.)	MDM0026	0153500074
*500.2	Plate Washer (Base) M12	A•D	2	2	A4 (SUS316 eq.)	MDM0027	0153500029
*554.1	Spring Washer (Drain•Air Vent Plate) M8		2	4	A4 (SUS316 eq.)	MDM0028	0154100057
*554.2	Spring Washer (Base) M12	A•D	4	4	A4 (SUS316 eq.)	MDM0029	0154100024
*554.4	Spring Washer (Cover) M16		10	10	A4 (SUS316 eq.)	MDM0490	0154100026
*554.5	Spring Washer (Rear Casing Support) M12		4	4	A4 (SUS316 eq.)	MDM0029	0154100024
*554.6	" " (Motor)	5,5•7,5kW M12	4	4	A4 (SUS316 eq.)	MDM0029	0154100024
*554.6	" " (Motor)	11,0•15,0kW M16	4	4	A4 (SUS316 eq.)	MDM0490	0154100026
*901.1	Hex. Bolt (Drain•Air Vent Plate) M8x20		2	4	A4 (SUS316 eq.)	MDM0037	0150100163
*901.2	Hex. Bolt (Base) M12x40	A•D	4	4	A4 (SUS316 eq.)	MDM0555	0150100208
*901.4	Hex. Bolt (Cover) M16x45		10	10	A4 (SUS316 eq.)	MDM0491	0150100240
*901.5	Hex. Bolt (Rear Casing Support) M12x35		4	4	A4 (SUS316 eq.)	MDM0136	0150100207
*901.6	Hex. Bolt (Motor)	5,5•7,5kW M12x45	4	4	A4 (SUS316 eq.)	MDM0137	0150100209
		11,0•15,0kW M16x45	4	4	A4 (SUS316 eq.)	MDM0491	0150100240
**903.1	Cap Bolt (Cover) M6x20		5		A4 (SUS316 eq.)	MDM0043	0150300093
908.1	Setscrew (Drive Magnet Unit) M8x10		2	2	Steel	MDM0044	0152100046

*Note: "Drive Magnet Unit" is furnished with 2 x Setscrew (908.1).

⚠ Subject to change without prior notice! ⚠ Actual pump may differ from the exploded view!