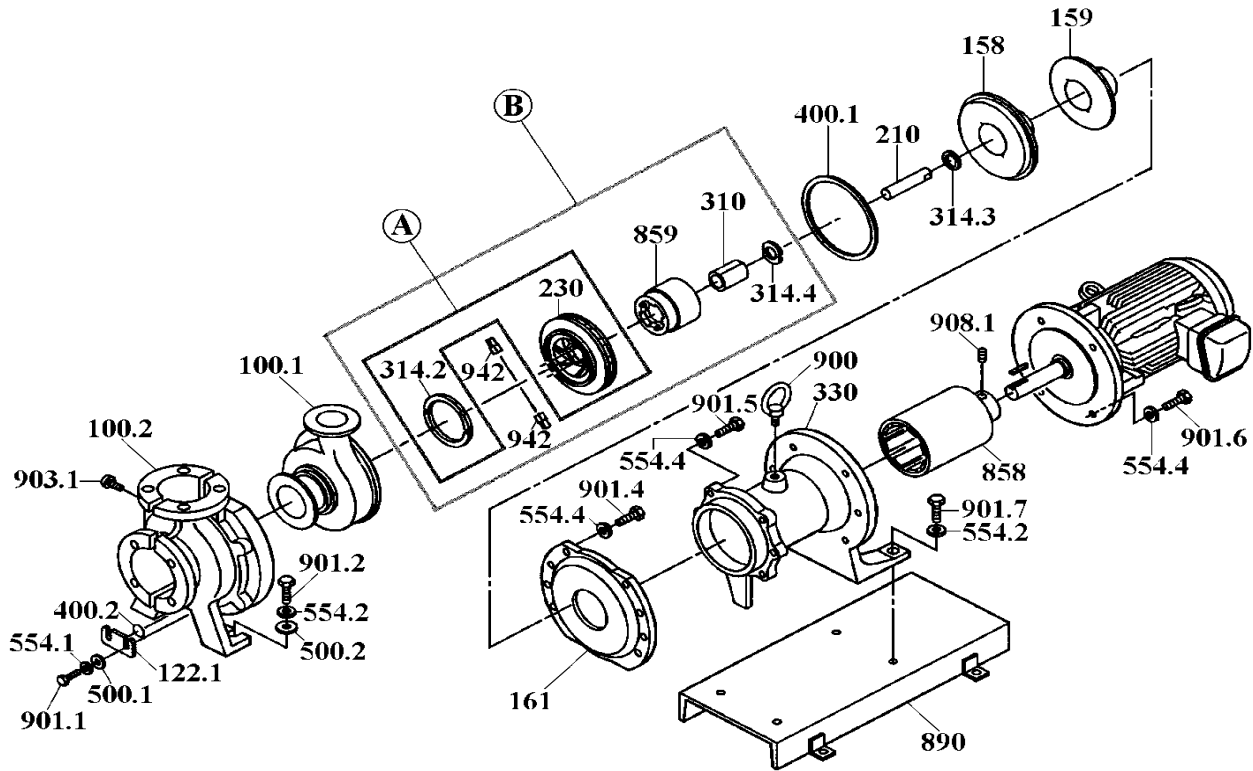


MDM 40-1-ECFF•EKKF (ETFE)

No. 60-149
Sep. 01, 2016



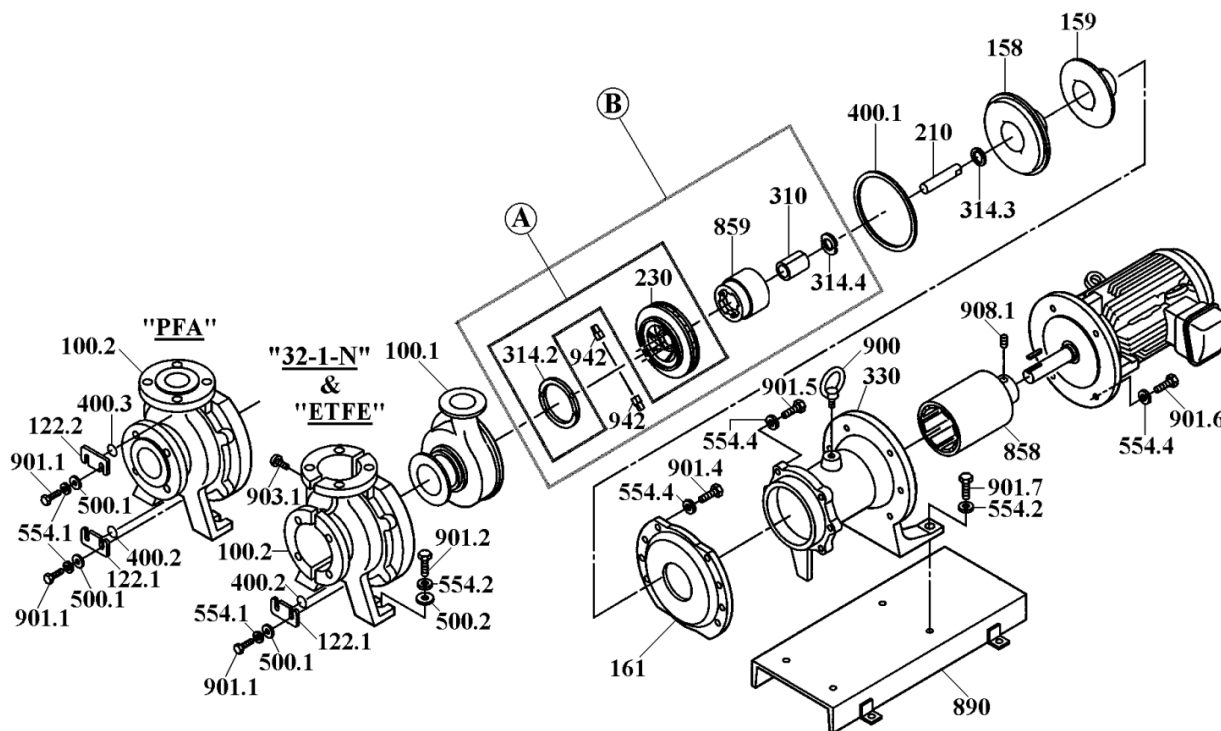
Item	Description	Q'ty	Remarks		MDM40-1-ECFF		MDM40-1-EKKF		
			ECFF	EKKF	Part No.	Code No.	Part No.	Code No.	
100.1	Front Casing (D•E) with Drain Hole	1	CFRETFE+CE		MDM0280	1230901810			
		1	CFRETFE+SiC				MDM0279	1230901820	
	Front Casing (A•B) without Drain Hole	1	CFRETFE+CE		MDM0282	1210027710			
		1	CFRETFE+SiC				MDM0281	1210027720	
100.2	*Cover Unit (ISO)	1		Ductile Iron	MDM0508	1210051300	↔	↔	
158	Rear Casing	1		CFRETFE	MDM0211	1220261800	↔	↔	
230	Impeller [E40/50] CFRETFE	50Hz	165	1	Ø 165 mm	MDM0481	1230895310	↔	↔
			160	1	Ø 160 mm	MDM0482	1230895320	↔	↔
		50•60Hz	150	1	Ø 150 mm	MDM0483	1230895330	↔	↔
			140	1	Ø 140 mm	MDM0484	1230895340	↔	↔
			130	1	Ø 130 mm	MDM0485	1230895350	↔	↔
			120	1	Ø 120 mm	MDM0486	1230895360	↔	↔
			110	1	Ø 115 mm	MDM0487	1230895370	↔	↔
314.2	Mouth Ring	1	PTFE	SiC	MDM0489	1240307200	MDM0488	1240683700	
A	Impeller+Mouth Ring Assembly [E40/50] (230+314.2)	165	1	Ø 165 mm	MDM0345	1230895510	MDM0324	1230895710	
		160	1	Ø 160 mm	MDM0346	1230895520	MDM0325	1230895720	
		150	1	Ø 150 mm	MDM0347	1230895530	MDM0326	1230895730	
		140	1	Ø 140 mm	MDM0348	1230895540	MDM0327	1230895740	
		130	1	Ø 130 mm	MDM0349	1230895550	MDM0328	1230895750	
		120	1	Ø 120 mm	MDM0350	1230895560	MDM0329	1230895760	
		110	1	Ø 115 mm	MDM0351	1230895570	MDM0330	1230895770	
210	Spindle	1	CE	SiC	MDM0122	1240680100	MDM0121	1240680200	
310	Bearing	1	Carbon	SiC	MDM0124	1240682400	MDM0123	1240680900	
314.3	Rear Thrust Ring	1	PTFE		MDM0125	1240681100	↔	↔	
314.4	Rear Ring	1	CE	SiC	MDM0127	1240680700	MDM0126	1240680800	
859	Magnet Capsule	4,0•5,5 kW [7]	1	CFRETFE+Mg		MDM0134	1230894410	↔	↔
		7,5 kW [10]	1	CFRETFE+Mg		MDM0288	1230894420	↔	↔
B	Impeller+Magnet Capsule Ass'y (230+310+314.2+ 314.4+859+942)	165	1	4,0•5,5 kW		MDM0352	2270129910	MDM0331	2270130210
		110-160	1	4,0•5,5 kW		<Specify impeller size.>		<Specify impeller size.>	
		165	1	7,5 kW		MDM0359	2270130010	MDM0338	2270130310
		110-160	1	7,5 kW		<Specify impeller size.>		<Specify impeller size.>	

*Note: "Cover Unit" is furnished with 5 x Cap Bolt (903.1).

⚠ Subject to change without prior notice! ⚠ Actual pump may differ from the exploded view!

MDM 32-1•40-1-E•P•N (ETFE•PFA)

No. 60-147c
Sep. 01, 2016



Item	Description	Quantity		Material	Part No.	Code No.		
		32-N	PFA					
122.1	Drain Plate	1	1	Steel	MDM0009	1240485700		
122.2	Air Vent Plate		1	Steel	MDM0009	1240485700		
159	Rear Casing Cover	1	1	FRP	MDM0212	1220262300		
161	Rear Casing Support	1	1	Ductile Iron	MDM0213	1220260200		
330	Foot Support	4,0 kW (IEC112)	1	1	Ductile Iron	MDM0128	1220260400	
		5,5•7,5 kW (IEC132)	1	1	Ductile Iron	MDM0129	1220260500	
400.1	Gasket	1	1	PTFE	MDM0214	1230889500		
400.2	Drain Gasket		D•E	1	1	PTFE	MDM0025	1240485900
400.3	Air Vent Gasket		D•E	1	1	PTFE	MDM0025	1240485900
* 858	Drive Magnet Unit <*See note>	4,0 kW [DJ5]	1	1	Steel+R.E.Mag.	MDM0131	1220278700	
		5,5 kW [DJ7]	1	1	Steel+R.E.Mag.	MDM0132	1220280020	
		7,5 kW [DJ10]	1	1	Steel+R.E.Mag.	MDM0286	1220280030	
890	Base Plate		A•D	1	1	Steel	MDM0135	1230891800
900	Eye Bolt (M12)	1	1	Steel	MDM0036	0150800003		
942	Impeller Pin	2	2	PFA	MDM0138	1240681900		
* 500.1	Plate Washer (Drain•Air Vent Plate) M8	2	4	A4 (SUS316 eq.)	MDM0026	0153500074		
* 500.2	Plate Washer (Base) M12		A•D	2	2	A4 (SUS316 eq.)	MDM0027	0153500029
* 554.1	Spring Washer (Drain•Air Vent Plate) M8	2	4	A4 (SUS316 eq.)	MDM0028	0154100057		
* 554.2	Spring Washer (Base) M12		A•D	4	4	A4 (SUS316 eq.)	MDM0029	0154100024
* 554.4	" " (Cover•Rear C.Support•Motor) M12	16	16	A4 (SUS316 eq.)	MDM0029	0154100024		
* 901.1	Hex. Bolt (Drain•Air Vent Plate) M8x20	2	4	A4 (SUS316 eq.)	MDM0037	0150100163		
* 901.2	Hex. Bolt (Base) M12x40		A•D	2	2	A4 (SUS316 eq.)	MDM0555	0150100208
* 901.4	Hex. Bolt (Cover) M12x45	8	8	A4 (SUS316 eq.)	MDM0137	0150100209		
* 901.5	Hex. Bolt (Rear Casing Support) M12x35	4	4	A4 (SUS316 eq.)	MDM0136	0150100207		
* 901.6	Hex. Bolt (Motor)	4,0 kW	M12x40	4	4	A4 (SUS316 eq.)	MDM0555	0150100208
		5,5•7,5 kW	M12x45	4	4	A4 (SUS316 eq.)	MDM0137	0150100209
* 901.7	Hex. Bolt (Base) M12x40		A•D	2	2	A4 (SUS316 eq.)	MDM0555	0150100208
** 903.1	Cap Bolt (Cover) M6x20	5		A4 (SUS316 eq.)	MDM0043	0150300093		
* 908.1	Setscrew (Drive Magnet Unit) M8x10	2	2	Steel	MDM0044	0152100046		

*Note: "Drive Magnet Unit" is furnished with 2 x Setscrew (908.1).

⚠ Subject to change without prior notice! ⚠ Actual pump may differ from the exploded view!