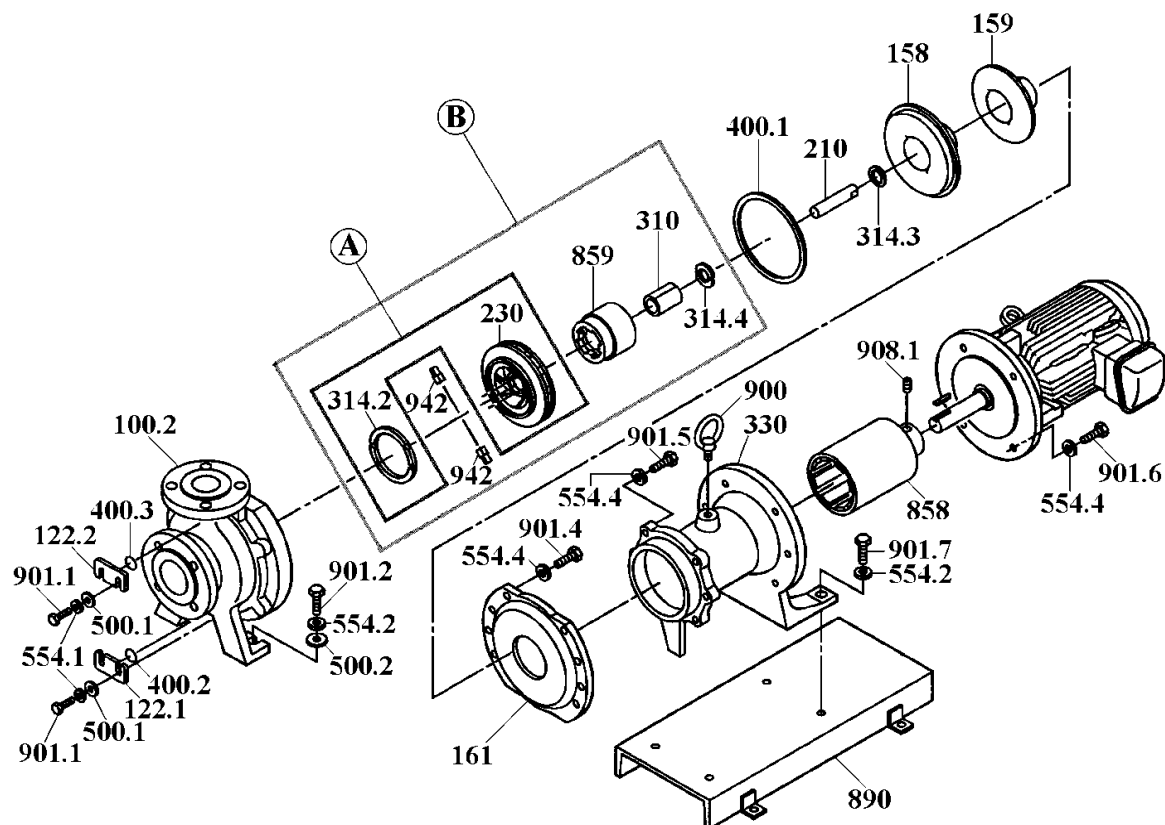


MDM 40-1-PKKF (PFA)

No. 60-150
Sep. 01, 2016

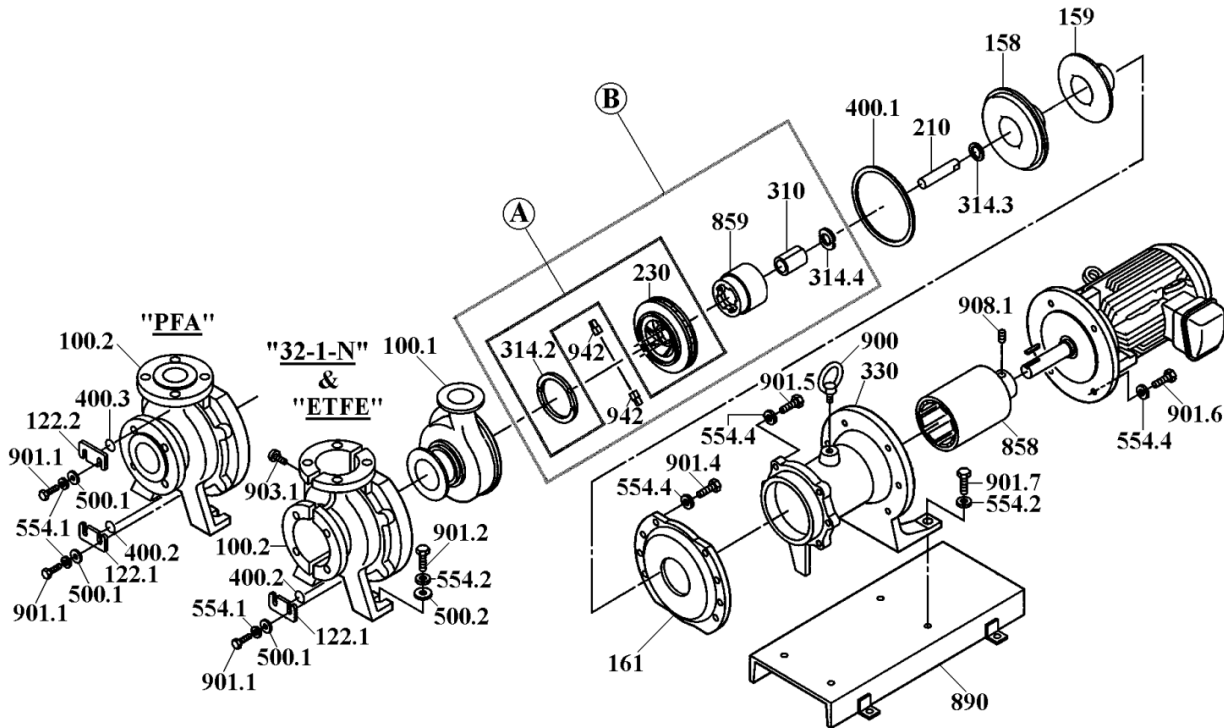


Item	Description	Q'ty	Material	Part No.	Code No.			
100.2	Front Casing with Air/Drain Holes (D•E)	1	PFA+SiC+FCD	MDM0506	1230898120			
	Unit (ISO) without " " (A•B)	1	PFA+SiC+FCD	MDM0507	1230898140			
158	Rear Casing	1	PFA	MDM0210	1220263100			
230	Impeller [P40/50]	50Hz	165	Ø 165 mm	1	PFA	MDM0379	1230897410
			160	Ø 160 mm	1	PFA	MDM0475	1230897420
		50•60Hz	150	Ø 150 mm	1	PFA	MDM0476	1230897430
			140	Ø 140 mm	1	PFA	MDM0477	1230897440
			130	Ø 130 mm	1	PFA	MDM0478	1230897450
			120	Ø 120 mm	1	PFA	MDM0479	1230897460
314.2	Mouth Ring	1	SiC	MDM0488	1240683700			
A	Impeller+Mouth Ring Assembly [P40/50] (230+314.2)	165	Ø 165 mm	1	PFA+SiC	MDM0296	1230897610	
		160	Ø 160 mm	1	PFA+SiC	MDM0297	1230897620	
		150	Ø 150 mm	1	PFA+SiC	MDM0298	1230897630	
		140	Ø 140 mm	1	PFA+SiC	MDM0299	1230897640	
		130	Ø 130 mm	1	PFA+SiC	MDM0300	1230897650	
		120	Ø 120 mm	1	PFA+SiC	MDM0301	1230897660	
		110	Ø 110 mm	1	PFA+SiC	MDM0302	1230897670	
210	Spindle	1	SiC	MDM0121	1240680200			
310	Bearing	1	SiC	MDM0123	1240680900			
314.3	Rear Thrust Ring	1	PTFE (Natural)	MDM0614	1240690700			
314.4	Rear Ring	1	SiC	MDM0126	1240680800			
859	Magnet Capsule Unit	4,0•5,5 kW [P7]	1	PFA+R.E.Mag.	MDM0133	1230897010		
		7,5 kW [P10]	1	PFA+R.E.Mag.	MDM0287	1230897020		
B	Impeller+Magnet Capsule Assembly (230+310+314.2+314.4+859+942)	165	4,0•5,5 kW	1	PFA+SiC+Mag.	MDM0303	2270132910	
		110~160	4,0•5,5 kW	1	PFA+SiC+Mag.	<Specify impeller size.>		
		165	7,5 kW	1	PFA+SiC+Mag.	MDM0310	2270133010	
		110~160	7,5 kW	1	PFA+SiC+Mag.	<Specify impeller size.>		

⚠ Subject to change without prior notice! ⚠ Actual pump may differ from the exploded view!

MDM 32-1•40-1-E•P•N (ETFE•PFA)

No. 60-147c
Sep. 01, 2016



Item	Description	Quantity		Material	Part No.	Code No.		
		32-N	PFA					
122.1	Drain Plate	1	1	Steel	MDM0009	1240485700		
122.2	Air Vent Plate		1	Steel	MDM0009	1240485700		
159	Rear Casing Cover	1	1	FRP	MDM0212	1220262300		
161	Rear Casing Support	1	1	Ductile Iron	MDM0213	1220260200		
330	Foot Support	4,0 kW (IEC112)	1	1	Ductile Iron	MDM0128	1220260400	
		5,5•7,5 kW (IEC132)	1	1	Ductile Iron	MDM0129	1220260500	
400.1	Gasket	1	1	PTFE	MDM0214	1230889500		
400.2	Drain Gasket		D•E	1	1	PTFE	MDM0025	1240485900
400.3	Air Vent Gasket		D•E	1	1	PTFE	MDM0025	1240485900
*858	Drive Magnet Unit <*See note>	4,0 kW [DJ5]	1	1	Steel+R.E.Mag.	MDM0131	1220278700	
		5,5 kW [DJ7]	1	1	Steel+R.E.Mag.	MDM0132	1220280020	
		7,5 kW [DJ10]	1	1	Steel+R.E.Mag.	MDM0286	1220280030	
890	Base Plate		A•D	1	1	Steel	MDM0135	1230891800
900	Eye Bolt (M12)	1	1	Steel	MDM0036	0150800003		
942	Impeller Pin	2	2	PFA	MDM0138	1240681900		
*500.1	Plate Washer (Drain•Air Vent Plate) M8	2	4	A4 (SUS316 eq.)	MDM0026	0153500074		
*500.2	Plate Washer (Base) M12		A•D	2	2	A4 (SUS316 eq.)	MDM0027	0153500029
*554.1	Spring Washer (Drain•Air Vent Plate) M8	2	4	A4 (SUS316 eq.)	MDM0028	0154100057		
*554.2	Spring Washer (Base) M12		A•D	4	4	A4 (SUS316 eq.)	MDM0029	0154100024
*554.4	" " (Cover•Rear C.Support•Motor) M12	16	16	A4 (SUS316 eq.)	MDM0029	0154100024		
*901.1	Hex. Bolt (Drain•Air Vent Plate) M8x20	2	4	A4 (SUS316 eq.)	MDM0037	0150100163		
*901.2	Hex. Bolt (Base) M12x40		A•D	2	2	A4 (SUS316 eq.)	MDM0555	0150100208
*901.4	Hex. Bolt (Cover) M12x45	8	8	A4 (SUS316 eq.)	MDM0137	0150100209		
*901.5	Hex. Bolt (Rear Casing Support) M12x35	4	4	A4 (SUS316 eq.)	MDM0136	0150100207		
*901.6	Hex. Bolt (Motor)	4,0 kW	M12x40	4	4	A4 (SUS316 eq.)	MDM0555	0150100208
		5,5•7,5 kW	M12x45	4	4	A4 (SUS316 eq.)	MDM0137	0150100209
*901.7	Hex. Bolt (Base) M12x40		A•D	2	2	A4 (SUS316 eq.)	MDM0555	0150100208
**903.1	Cap Bolt (Cover) M6x20	5		A4 (SUS316 eq.)	MDM0043	0150300093		
908.1	Setscrew (Drive Magnet Unit) M8x10	2	2	Steel	MDM0044	0152100046		

*Note: "Drive Magnet Unit" is furnished with 2 x Setscrew (908.1).

⚠ Subject to change without prior notice! ⚠ Actual pump may differ from the exploded view!