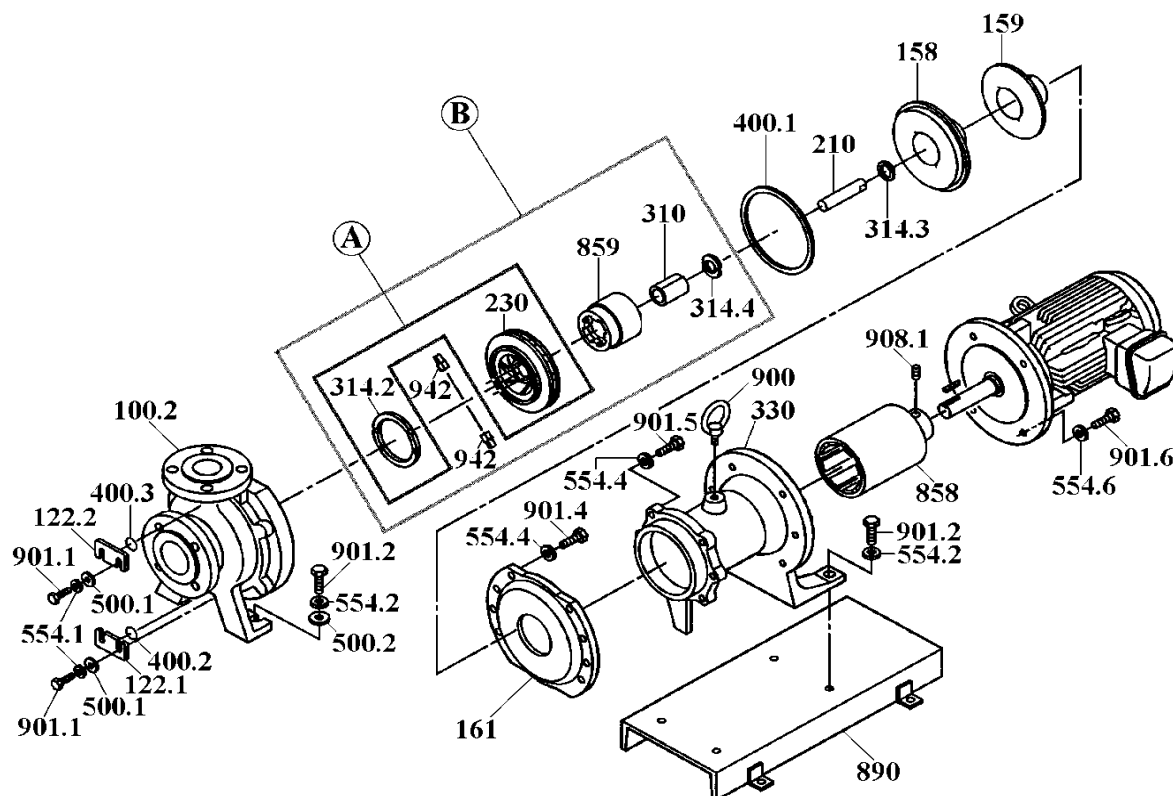


MDM 50-1-PKKF (PFA)

No. 60-153
Sep. 01, 2016

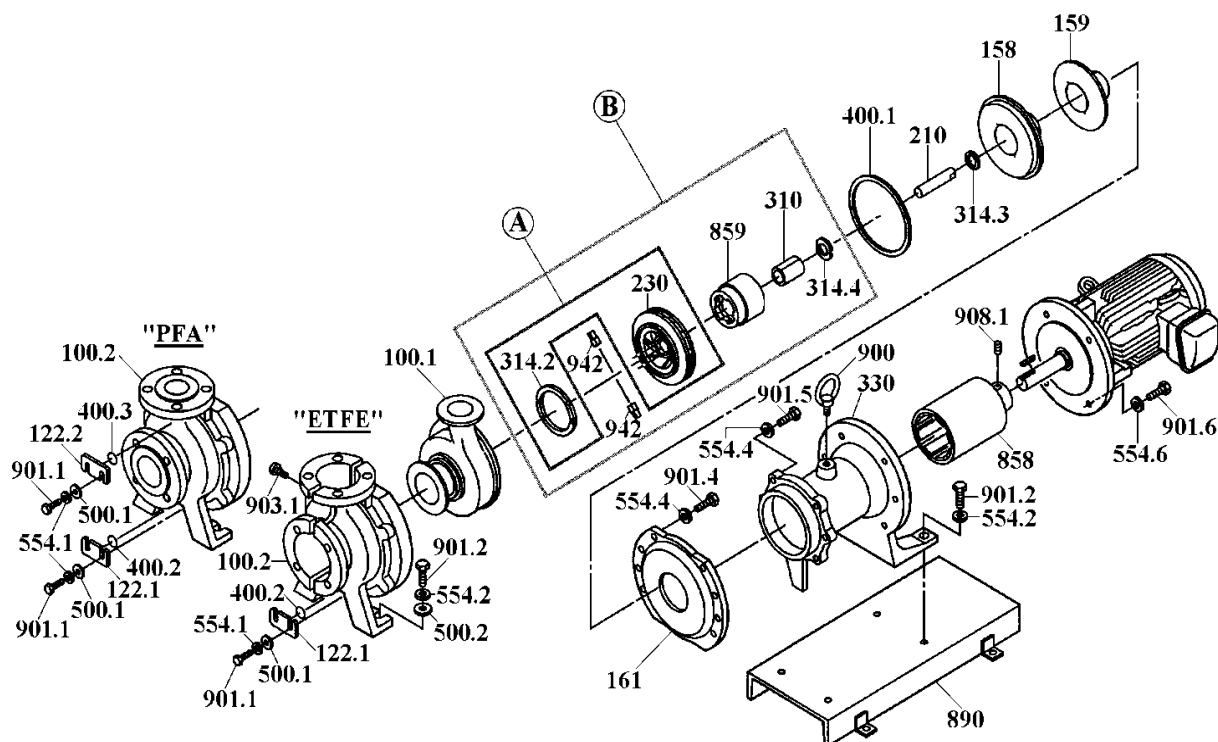


| Item | Description | | Q'ty | Remarks | Part No. | Code No. | | |
|-------|--|----------------------------------|------------|----------------|--------------|--------------------------|------------|------------|
| 100.2 | Front Casing Unit (ISO) | with Air/Drain Holes (D•E) | 1 | 5,5•7,5 kW | MDM0493 | 1230898230 | | |
| | | without " " (A•B) | 1 | 5,5•7,5 kW | MDM0494 | 1230898270 | | |
| | | with Air/Drain Holes (D•E) | 1 | 11,0•15,0 kW | MDM0496 | 1230898240 | | |
| | | PFA+SiC+FCD without " " (A•B) | 1 | 11,0•15,0 kW | MDM0497 | 1230898280 | | |
| 158 | Rear Casing | | 1 | PFA | MDM0370 | 1220263200 | | |
| 230 | Impeller [P50/65] | 50Hz | 165 | Ø 185 mm | 1 | PFA | MDM0289 | 1230897510 |
| | | | 160 | Ø 180 mm | 1 | PFA | MDM0290 | 1230897520 |
| | | 50•60Hz | 150 | Ø 170 mm | 1 | PFA | MDM0291 | 1230897530 |
| | | | 140 | Ø 160 mm | 1 | PFA | MDM0292 | 1230897540 |
| | | | 130 | Ø 150 mm | 1 | PFA | MDM0293 | 1230897550 |
| | | | 120 | Ø 140 mm | 1 | PFA | MDM0294 | 1230897560 |
| | | | 110 | Ø 130 mm | 1 | PFA | MDM0295 | 1230897570 |
| 314.2 | Mouth Ring | | 1 | SiC | MDM0376 | 1240683800 | | |
| A | Impeller+Mouth Ring Assembly [P50/65] (230+314.2) | 165 | Ø 185 mm | 1 | PFA+SiC | MDM0380 | 1230897710 | |
| | | 160 | Ø 180 mm | 1 | PFA+SiC | MDM0381 | 1230897720 | |
| | | 150 | Ø 170 mm | 1 | PFA+SiC | MDM0382 | 1230897730 | |
| | | 140 | Ø 160 mm | 1 | PFA+SiC | MDM0383 | 1230897740 | |
| | | 130 | Ø 150 mm | 1 | PFA+SiC | MDM0384 | 1230897750 | |
| | | 120 | Ø 140 mm | 1 | PFA+SiC | MDM0385 | 1230897760 | |
| | | 110 | Ø 130 mm | 1 | PFA+SiC | MDM0386 | 1230897770 | |
| 210 | Spindle | | 1 | SiC | MDM0372 | 1240680400 | | |
| 310 | Bearing | | 1 | SiC | MDM0374 | 1240681000 | | |
| 314.3 | Rear Thrust Ring | | 1 | PTFE (Natural) | MDM0615 | 1240690800 | | |
| 314.4 | Rear Ring | | 1 | SiC | MDM0126 | 1240680800 | | |
| 859 | Magnet Capsule Unit | 5,5•7,5 kW [P10] | 1 | PFA+R.E.Mag. | MDM0287 | 1230897020 | | |
| | | 11,0•15,0 kW [P15] | 1 | PFA+R.E.Mag. | MDM0469 | 1230897100 | | |
| B | Impeller+Magnet Capsule Assembly (230+310+314.2+314.4+ 859+942) | 165 | 5,5•7,5 kW | 1 | PFA+SiC+Mag. | MDM0394 | 2270133210 | |
| | | 110~160 | 5,5•7,5 kW | 1 | PFA+SiC+Mag. | <Specify impeller size.> | | |
| | | 165 | 11•15 kW | 1 | PFA+SiC+Mag. | MDM0401 | 2270133310 | |
| | | 110~160 | 11•15 kW | 1 | PFA+SiC+Mag. | <Specify impeller size.> | | |

△ Subject to change without prior notice! △ Actual pump may differ from the exploded view!

MDM 50-1-ECFF•EKKF•PKKF (ETFE•PFA)

No. 60-152c
Sep. 01, 2016



| Item | Description | Quantity | | Material | Part No. | Code No. | | |
|--------|---------------------|---|--------|--------------|-----------------|-----------------|------------|------------|
| | | ETFE | PFA | | | | | |
| 122.1 | Drain Plate | 1 | 1 | Steel | MDM0009 | 1240485700 | | |
| 122.2 | Air Vent Plate | | 1 | Steel | MDM0009 | 1240485700 | | |
| 159 | Rear Casing Cover | | 1 | FRP | MDM0119 | 1220262400 | | |
| 161 | Rear Casing Support | | 1 | Ductile Iron | MDM0120 | 1220260300 | | |
| 330 | Foot Support | 5,5•7,5 kW (IEC132) | 1 | 1 | Ductile Iron | MDM0129 | 1220260500 | |
| | | 11,0•15,0 kW (IEC160) | 1 | 1 | Ductile Iron | MDM0467 | 1220260600 | |
| 400.1 | Gasket | | 1 | 1 | PTFE | MDM0130 | 1230889600 | |
| 400.2 | Drain Gasket | D•E | 1 | 1 | PTFE | MDM0025 | 1240485900 | |
| 400.3 | Air Vent Gasket | D•E | | 1 | PTFE | MDM0025 | 1240485900 | |
| *858 | Drive Magnet Unit | 5,5•7,5 kW [DJ10] | 1 | 1 | Steel+R.E.Mag. | MDM0286 | 1220280030 | |
| | | 11,0•15,0 kW [DJ15] | 1 | 1 | Steel+R.E.Mag. | MDM0738 | 1220291100 | |
| 890 | Base Plate (A•D) | 5,5•7,5 kW | 1 | 1 | Steel | MDM0135 | 1230891800 | |
| | | 11,0•15,0 kW | 1 | 1 | Steel | MDM0471 | 1230889900 | |
| 900 | Eye Bolt (M12) | | 1 | 1 | Steel | MDM0036 | 0150800003 | |
| 942 | Impeller Pin | | 2 | 2 | PFA | MDM0138 | 1240681900 | |
| * | 500.1 | Plate Washer (Drain•Air Vent Plate) M8 | 2 | 4 | A4 (SUS316 eq.) | MDM0026 | 0153500074 | |
| * | 500.2 | Plate Washer (Base) M12 | A•D | 2 | 2 | A4 (SUS316 eq.) | MDM0027 | 0153500029 |
| * | 554.1 | Spring Washer (Drain•Air Vent Plate) M8 | | 2 | 4 | A4 (SUS316 eq.) | MDM0028 | 0154100057 |
| * | 554.2 | Spring Washer (Base) M12 | A•D | 4 | 4 | A4 (SUS316 eq.) | MDM0029 | 0154100024 |
| * | 554.4 | " " (Cover • Rear Casing Support) M12 | | 12 | 12 | A4 (SUS316 eq.) | MDM0029 | 0154100024 |
| * | 554.6 | " " (Motor) 5,5•7,5 kW | M12 | 4 | 4 | A4 (SUS316 eq.) | MDM0029 | 0154100024 |
| * | 554.6 | " " (Motor) 11,0•15,0 kW | M16 | 4 | 4 | A4 (SUS316 eq.) | MDM0490 | 0154100026 |
| * | 901.1 | Hex. Bolt (Drain•Air Vent Plate) M8x20 | | 2 | 4 | A4 (SUS316 eq.) | MDM0037 | 0150100163 |
| * | 901.2 | Hex. Bolt (Base) M12x40 | A•D | 4 | 4 | A4 (SUS316 eq.) | MDM0555 | 0150100208 |
| * | 901.4 | Hex. Bolt (Cover) M12x45 | | 8 | 8 | A4 (SUS316 eq.) | MDM0137 | 0150100209 |
| * | 901.5 | Hex. Bolt (Rear Casing Support) M12x35 | | 4 | 4 | A4 (SUS316 eq.) | MDM0136 | 0150100207 |
| *901.6 | Hex. Bolt (Motor) | 5,5•7,5 kW | M12x45 | 4 | 4 | A4 (SUS316 eq.) | MDM0137 | 0150100209 |
| | | 11,0•15,0 kW | M16x45 | 4 | 4 | A4 (SUS316 eq.) | MDM0491 | 0150100240 |
| ** | 903.1 | Cap Bolt (Cover) M6x20 | | 5 | | A4 (SUS316 eq.) | MDM0043 | 0150300093 |
| | 908.1 | Setscrew (Drive Magnet Unit) M8x10 | | 2 | 2 | Steel | MDM0044 | 0152100046 |

*Note: "Drive Magnet Unit" is furnished with 2 x Setscrew (908.1).

⚠ Subject to change without prior notice! ⚠ Actual pump may differ from the exploded view!