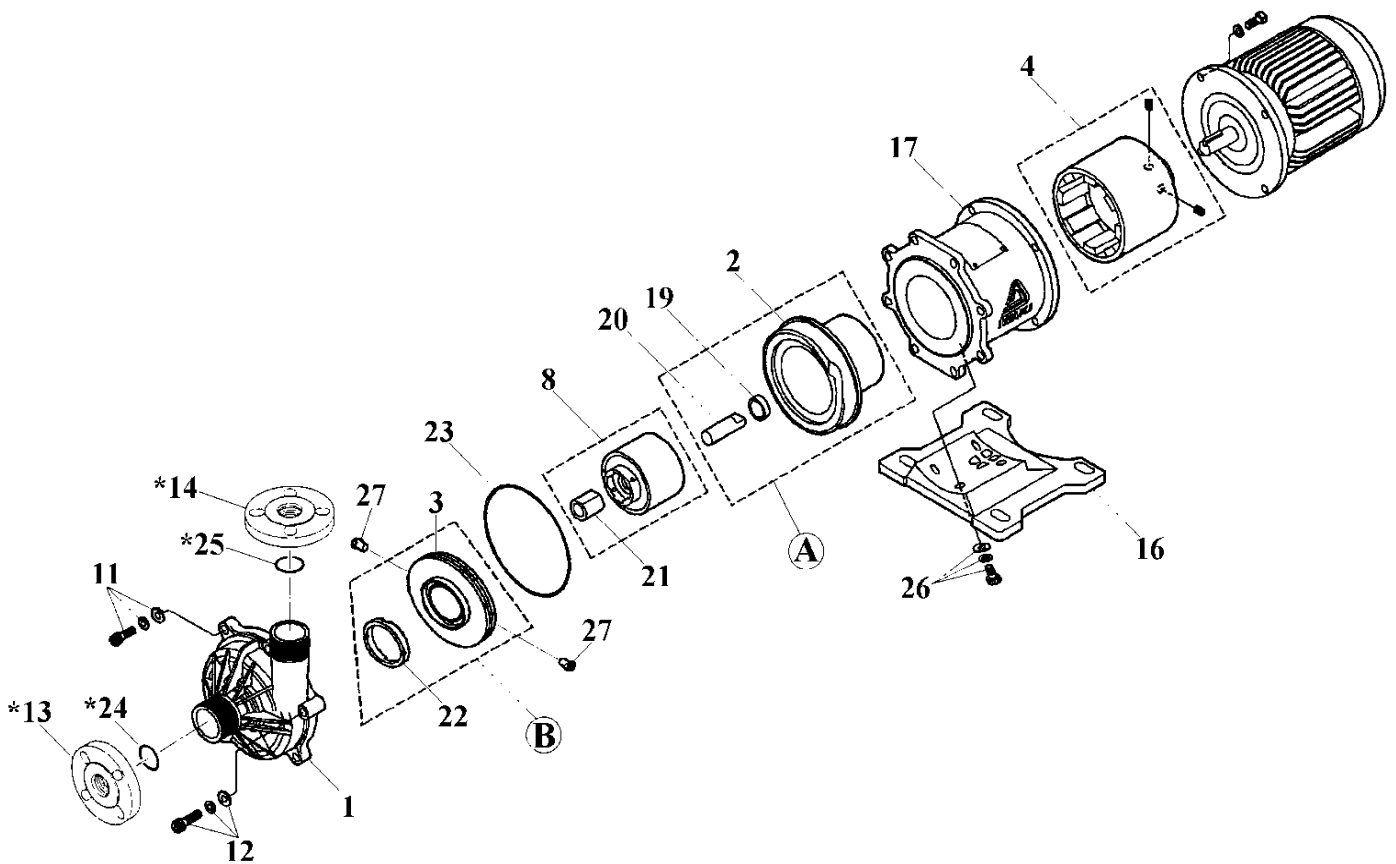


Item	Description	Q'ty	Material	MX-F402 (1,5kW)		MX-F403 (2,2kW)		
				Part No.	Code No.	Part No.	Code No.	
1	Front Casing+ Liner Ring Unit	CF•RF	1	CFRETFE+CE	MX0932	1220322710	↔	↔
		KK	1	CFRETFE+SiC	MX0933	1220322720	↔	↔
2	Rear Casing	1	CFRETFE	MX0815	1240830600	↔	↔	
3	Impeller [15F5]	"T" <Ø 142mm>	1	CFRETFE	MX0485	1231022410		
		"V" <Ø 132mm>	1	CFRETFE	MX0718	1231022420		
		"W" <Ø 116mm>	1	CFRETFE	MX0719	1231022430		
	Impeller [22F5]	"T" <Ø 156mm>	1	CFRETFE			MX0490	1231045900
		"V" <Ø 145mm>	1	CFRETFE			MX0730	1231022510
		"W" <Ø 129mm>	1	CFRETFE			MX0731	1231022520
4	Drive Magnet Unit [J2]•[J3]	1	FCD450+Mg.	MX0310	1230987200	MX0323	1230987300	
8	Magnet Capsule+ Bearing Unit [15F]•[22F]	CF	1	CFRETFE+C.	MX0453	1231266210	MX0462	1231266310
		RF	1	CFRETFE+PTFE	MX0454	1231266220	MX0463	1231266320
		KK	1	CFRETFE+SiC	MX0455	1231266230	MX0464	1231266330
11	Cap Bolt with W.<M10x55>	7	SUS304 equiv.	MX0798	0150300047	↔	↔	
12	Cap Bolt with W.<M10x60>	1	SUS304 equiv.	MX0313	0150300048	↔	↔	
16	Base	1	GFRPP	MX0311	1220282000	↔	↔	
	*Base for Ex-Motor	1	1.4571		8900100012	↔	↔	
17	Adapter (IEC90•B5)	1	FC200	MX0317	1220281900	↔	↔	
19	Rear Thrust	1	CFRPFA	MX0457	1240765500	↔	↔	
20	Spindle	CF•RF	1	Al. Ceramic	MX0182	1240735900	↔	↔
		KK	1	SiC	MX0456	1240765800	↔	↔
21	Bearing	CF	1	H. D. Carbon	MX0487	1240765600	↔	↔
		RF	1	PTFE	MX0307	1240735800	↔	↔
		KK	1	SiC	MX0488	1240765700	↔	↔



Item	Description	Q'ty	Material	MX-F402 (1.5kW)		MX-F403 (2.2kW)	
				Part No.	Code No.	Part No.	Code No.
22	Mouth Ring	CF•RF	PTFE	MX0303	1240736000	↔	↔
		KK	SiC	MX0484	1240293700	↔	↔
23	O-Ring, G-195	() V	FKM-A	MX0180	0325300416	↔	↔
		() E	EPDM	MX0302	0325300097	↔	↔
		() A	Aflas®	MX0776	0325300427	↔	↔
26	Cap Bolt with W. (M8x20)	4	Steel	MX0219	0150900033	↔	↔
27	Lock Pin	2	CFRETFE	MX0489	1240765900	↔	↔
A	Rear Casing Ass'y <2+19+20>	CF•RF	see above	MX0816	2231148810	↔	↔
		KK	see above	MX0817	2231148820	↔	↔
B	Impeller+Mouth Ring Assembly <3+22> [50Hz]	CF•RF/T	CFRETFE+PTFE	MX0449	1231024010	MX0458	1231024210
		CF•RF/V	CFRETFE+PTFE	MX0722	1231024020	MX0734	1231024220
		CF•RF/W	CFRETFE+PTFE	MX0723	1231024030	MX0735	1231024230
		KKT	CFRETFE+SiC	MX0450	1231024110	MX0459	1231024310
		KKV	CFRETFE+SiC	MX0726	1231024120	MX0738	1231024320
	KKW	CFRETFE+SiC	MX0727	1231024130	MX0739	1231024330	
*13	Suction Flange	1	CFRETFE	MX0483	1230253600	↔	↔
*24	O-Ring, AS568-136	1	FKM-A	MX0181	0325500011	↔	↔
		1	EPDM	MX0300	0325500015	↔	↔
		1	Aflas®	MX0775	0325500002	↔	↔
*14	Discharge Flange	1	CFRETFE	MX0477	1230404400	↔	↔
*25	O-Ring, AS568-129	1	FKM-A	MX0130	0325500010	↔	↔
		1	EPDM	MX0233	0325500014	↔	↔
		1	Aflas®	MX0773	0325500001	↔	↔

Note: Items marked with * are optional parts.

△ Subject to change without prior notice! △ Actual pump may differ from the exploded view!