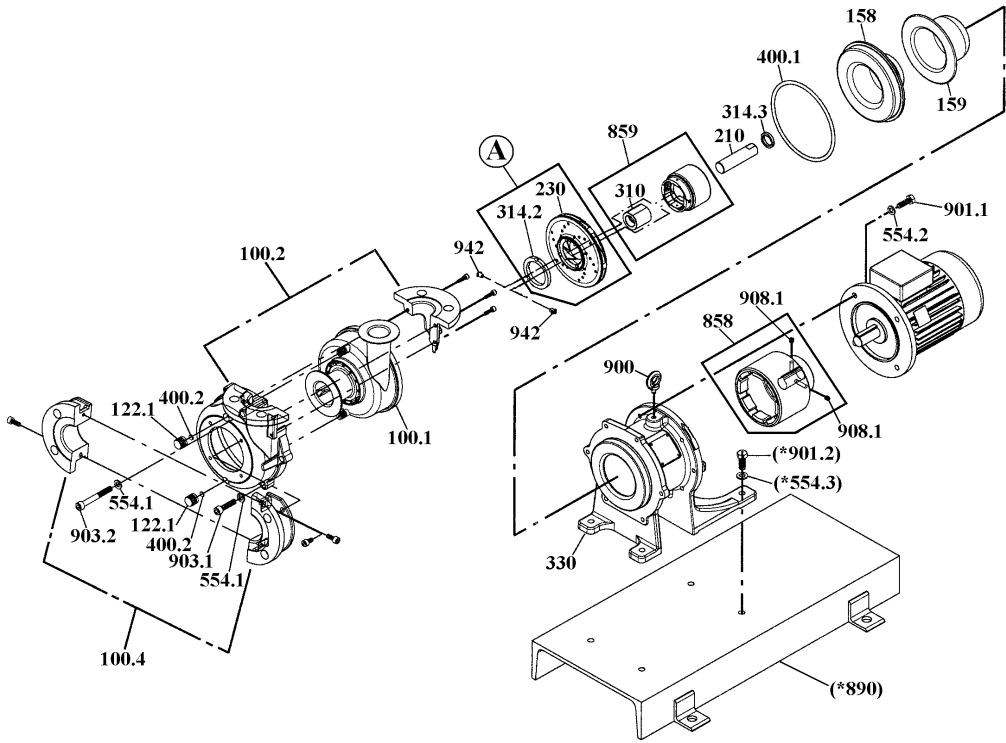


MXM542•543•545

No. 76-012
June 01, 2017



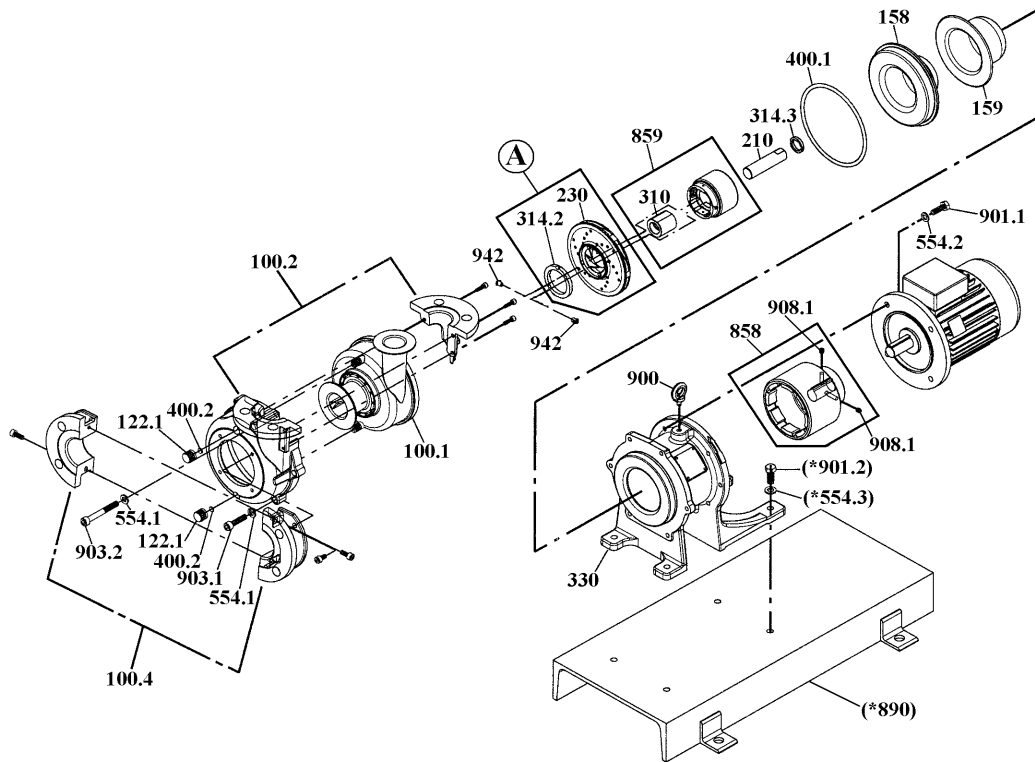
Item	Description	Q'ty	Type	Material	Part No.	Code No.	
100.1	Front Casing+Liner Ring Unit	1	CF • FF	CFRETFE+Ceramic	MXM0076	1210040910	
		1	KK	CFRETFE+SiC	MXM0077	1210040920	
100.2	Cover 'A/B' Unit (ISO)	1		FCD450	MXM0098	1220301220	
100.4	Cover 'C' Unit (ISO)	1		FCD450	MXM0099	1220301420	
122.1	Air Vent/Drain Cap (M14x2)	2		ETFE	MXM0114	1240644600	
158	Rear Casing	1	H	CFRETFE	MXM0080	1220299900	
159	Rear Casing Cover	1	H	FRP	MXM0081	1231142400	
210	Spindle	1	CF • FF	Alumina Ceramic	MXM0001	1240830000	
		1	KK	SiC	MXM0002	1240886500	
230	Impeller <1> [1XF]	Ø 150 mm	1	1501	CFRETFE	MXM0048	1231149810
		Ø 140 mm	1	1401	CFRETFE	MXM0049	1231149820
		Ø 120 mm	1	1201	CFRETFE	MXM0050	1231149840
	Impeller <3> [3XF]	Ø 154 mm	1	1503	CFRETFE	MXM0062	1231150400
		Ø 140 mm	1	1403	CFRETFE	MXM0052	1231150010
		Ø 130 mm	1	1303	CFRETFE	MXM0053	1231150020
	Impeller <4> [4XF]	Ø 110 mm	1	1103	CFRETFE	MXM0159	1231150040
		Ø 154 mm	1	1504	CFRETFE	MXM0055	1231150110
		Ø 140 mm	1	1404	CFRETFE	MXM0056	1231150120
		Ø 125mm	1	1254	CFRETFE	MXM0058	1231150140
310	Bearing	1	CF	High Density Carbon	MX0487	1240765600	
		1	FF	Alumina Ceramic	MXM0118	1240829700	
		1	KK	SiC	MX0488	1240765700	
		1	CF • FF	PTFE	MX0303	1240736000	
314.2	Mouth Ring	1	CF • FF	PTFE	MX0303	1240736000	
		1	KK	SiC	MXM0064	1240684600	
314.3	Rear Thrust	1		CFRPFA	MX0457	1240765500	
*330	Frame	1,5 • 2,2kW	1	542 • 543	FCD450	MXM0069	1220300720
		4,0kW	1	545	FCD450	MXM0094	1220300820

*Note: "Frame" is furnished with 1 x Eyebolt (900).

△ Subject to change without prior notice! △ Actual pump may differ from the exploded view!

MXM542•543•545

No. 76-013
June 01, 2017

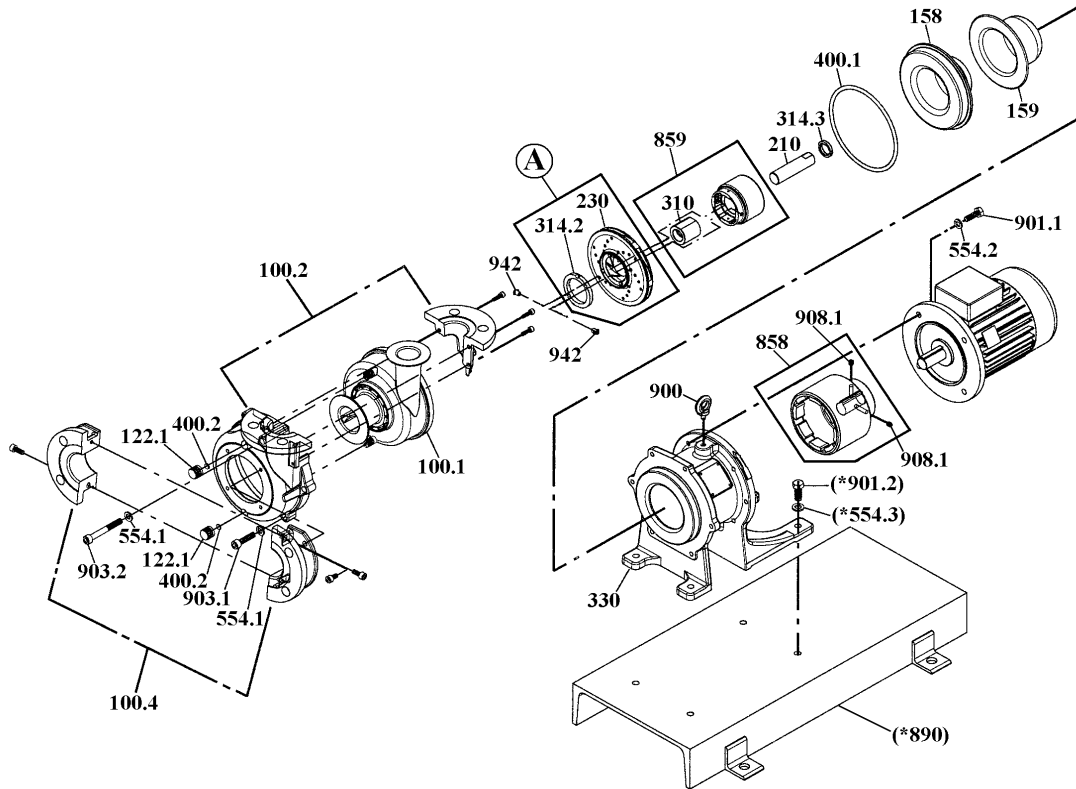


Item	Description	Q'ty	Type	Material	Part No.	Code No.
400.1	O-Ring <G-165>	1	V	FKM-A	MX0116	0325300068
		1	E	EPDM	MX0207	0325300080
		1	A	Aflas®	MX0772	0325300108
		1	P	DAI-EL Perfluoro®	MXM0014	0325300280
400.2	Gasket (t: 2mm, Ø 12mm)	2	V	FKM-A	MXM0009	1240010300
		2	E	EPDM	MXM0010	1240014200
		2	A	Aflas®	MXM0011	1240102200
		2	P	DAI-EL Perfluoro®	MXM0015	1240465900
858	Drive Magnet Unit (with 2 x 908.1)	1,5kW [XJ2H]	1	542		MXM0067 1220300000
		2,2kW [XJ3H]	1	543		MXM0088 1220300100
		4,0kW [XJ5]	1	545		MXM0092 1220300200
859	Magnet Capsule+ Bearing Assembly	1,5,2,2kW	1	542•543-CF	CFRETFE+Carbon	MX0453 1231266210
			1	542•543-FF	CFRETFE+Ceramic	MXM0119 1231266240
			1	542•543-KK	CFRETFE+SiC	MX0455 1231266250
		4,0kW	1	545-CF	CFRETFE+Carbon	MX0462 1231266310
			1	545-FF	CFRETFE+Ceramic	MXM0120 1231266340
			1	545-KK	CFRETFE+SiC	MXM0013 1231266350
942	Lock Pin	2		CFRETFE	MX0489 1240765900	
554.1	Spring Washer (Cover 'A/B') M10	6		A4 (SUS316 eq.)	MDM0030 0154100022	
554.2	Spring Washer (Motor) M10	4	542•543	A4 (SUS316 eq.)	MDM0030 0154100022	
	Spring Washer (Motor) M12	4	545	A4 (SUS316 eq.)	MDM0029 0154100024	
900	Eye Bolt (Frame) M10	1		Steel		0150800002
901.1	Hex. Bolt (Motor) M10x30	4	542•543	A4 (SUS316 eq.)	MDM0040	0150100182
	Hex. Bolt (Motor) M12x35	4	545	A4 (SUS316 eq.)	MDM0136	0150100207
903.1	Cap Bolt (Cover 'A/B') M10x40	5		A4 (SUS316 eq.)	MXM0071	0150300045
903.2	Cap Bolt (Cover 'A/B') M10x80	1		A4 (SUS316 eq.)	MXM0070	0150300567
908.1	Setscrew (Drive Mag.Unit) M8x10	2		Steel	MDM0044	0152100046

△ Subject to change without prior notice! △ Actual pump may differ from the exploded view!

MXM542•543•545

No. 76-014
June 01, 2017



Item	Description	Q'ty	Type	Material	Part No.	Code No.	
A	Impeller <1> + Mouth Ring Ass'y [1XF]	Ø 150 mm	1	1501-CF.FF	CFRETFE+PTFE	MXM0018	1231149010
		Ø 140 mm	1	1401-CF.FF	CFRETFE+PTFE	MXM0019	1231149020
		Ø 120 mm	1	1201-CF.FF	CFRETFE+PTFE	MXM0020	1231149040
		Ø 150 mm	1	1501-KK	CFRETFE+SiC	MXM0033	1231149410
		Ø 140 mm	1	1401-KK	CFRETFE+SiC	MXM0034	1231149420
	Impeller <3> + Mouth Ring Ass'y [3XF]	Ø 154mm	1	1503-CF.FF	CFRETFE+PTFE	MXM0023	1231149210
		Ø 140 mm	1	1403-CF.FF	CFRETFE+PTFE	MXM0024	1231149220
		Ø 130 mm	1	1303-CF.FF	CFRETFE+PTFE	MXM0025	1231149230
		Ø 110 mm	1	1103-CF.FF	CFRETFE+PTFE	MXM0157	1231149250
		Ø 154 mm	1	1503-KK	CFRETFE+SiC	MXM0038	1231149610
		Ø 140 mm	1	1403-KK	CFRETFE+SiC	MXM0039	1231149620
	Impeller <4> + Mouth Ring Ass'y [4XF]	Ø 130 mm	1	1303-KK	CFRETFE+SiC	MXM0040	1231149630
		Ø 110 mm	1	1103-KK	CFRETFE+SiC	MXM0158	1231149650
		Ø 154 mm	1	1504-CF.FF	CFRETFE+PTFE	MXM0027	1231149310
		Ø 140 mm	1	1404-CF.FF	CFRETFE+PTFE	MXM0028	1231149320
		Ø 125mm	1	1254-CF.FF	CFRETFE+PTFE	MXM0030	1231149340
Ø 110mm		1	1104-CF.FF	CFRETFE+PTFE	MXM0032	1231149360	
Ø 154 mm		1	1504-KK	CFRETFE+SiC	MXM0042	1231149710	
	Ø 140 mm	1	1404-KK	CFRETFE+SiC	MXM0043	1231149720	
	Ø 125mm	1	1254-KK	CFRETFE+SiC	MXM0045	1231149740	
	Ø 110mm	1	1104-KK	CFRETFE+SiC	MXM0047	1231149760	
*890	Base	1	"B"	Steel	MXM0085	1231158600	
*554.3	Spring Washer (Base) M12	4	"B"	A4 (SUS316 eq.)	MDM0029	0154100024	
*901.2	Hex. Bolt (Base) M12x30	4	"B"	A4 (SUS316 eq.)	MDM0042	0150100206	

Note: Items asterisked (*) are optional parts.

△ Subject to change without prior notice! △ Actual pump may differ from the exploded view!