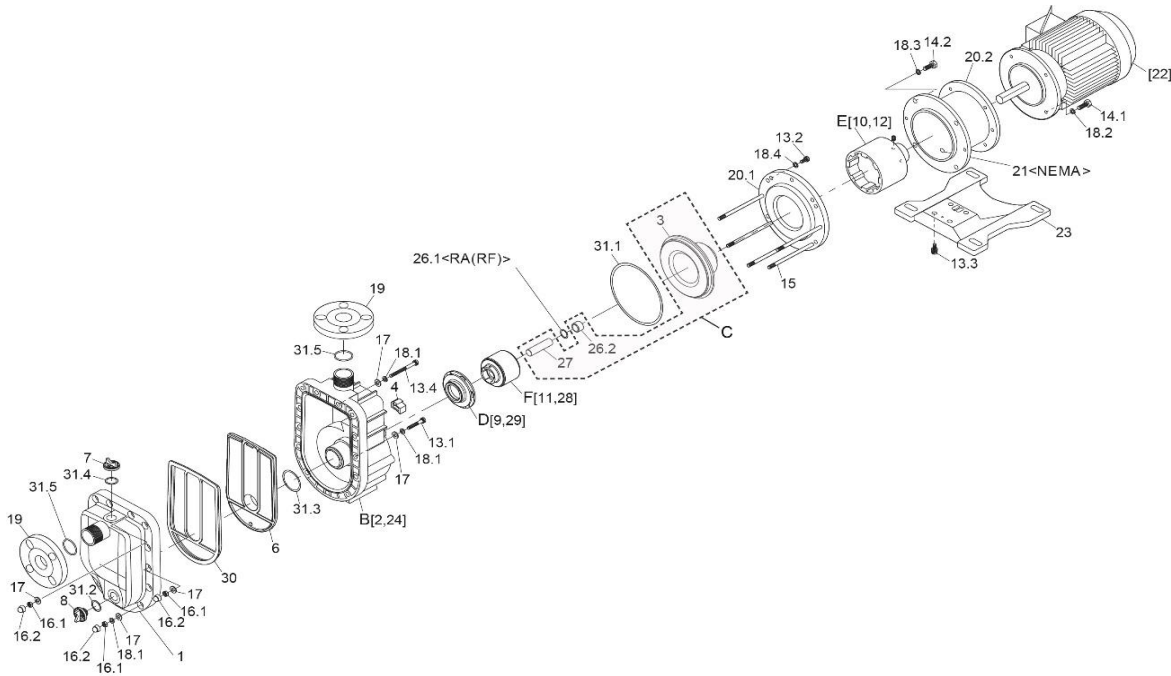


Item	Description	Q'ty	Material	SMX-F441 (0,75kW)			SMX-F442 (1,5kW)		
				Part No.	Code No.		Part No.	Code No.	
1	Front Case	1	CFRETFE	SMF0072	1210043500		↔	↔	
B	Rear Case (+L.R.) Unit	CF•RF	1	CFRETFE+CE	SMF0073	1210043710		↔	↔
		KK	1	CFRETFE+SiC	SMF0074	1210043720		↔	↔
3	Rear Casing	1	CFRETFE	SMF0006	1231196800		↔	↔	
C	Rear casing assembly (3,26.2,27)	CF	1	CFRETFE+Al Ceramics	SMF0166			↔	↔
		RF	1	CFRETFE+Al Ceramics	SMF0167			↔	↔
		KK	1	CFRETFE+SiC	SMF0168			↔	↔
4	Volute Spacer	1	CFRETFE	SMF0075	1240854700		↔	↔	
6	Plate	1	CFRETFE	SMF0077	1220307500		↔	↔	
7	Cap	1	CFRETFE	SMF0010	1240856300		↔	↔	
8	Drain Cap	1	CFRETFE	SMF0011	1240856500		↔	↔	
D	Impeller (with M.Ring) Unit	CF•RF	1	CFRETFE+PTFE	SMF0078	1240855610		↔	↔
		KK	1	CFRETFE+SiC	SMF0080	1240855620		↔	↔
*E	Drive Magnet Unit	<J1> 0,75kW	1	FCD450+Mag.	MX0227	1230977000			
		<J2> 1,5kW	1	FCD450+Mag.				MX0310	1230987200
F	Magnet Capsule+ Bearing Unit	CFV•CFE	1	CFRETFE+C+M	MX0443	1231022110		SMF0066	1231196510
		RFV•RFE	1	" + PTFE + "	MX0444	1231022120		SMF0067	1231196520
		KKV•KKE	1	" + SiC + "	MX0445	1231022130		SMF0068	1231196530
13.1	Cap Bolt (M8x45)	6	SUS304 equiv.	SMX0082	0150300037		↔	↔	
13.2	Cap Bolt (M8x15)	3	SUS304 equiv.	SMX0059	0150300030		↔	↔	
13.3	Cap Bolt with W. (M8x20)	4	Steel	MX0219	0150900033		↔	↔	
13.4	Cap Bolt (M8x85)	2	SUS304 equiv.	SMX0083	0150300574		↔	↔	
14.1	Hex. Head Bolt (M10x25)	4	SUS304 equiv.	MDM0041	0150100181		↔	↔	
14.2	Hex. Head Bolt (M10x25)	4	SUS304 equiv.	MDM0041	0150100181		↔	↔	
15	Stud Bolt (M8)	5	SUS304	SMX0084	1240833900		↔	↔	
16.1	Nut (M8)	13	SUS304 equiv.	SMX0064	0153100029		↔	↔	
16.2	Cover Cap	13	PE	SMX0065	0159000000		↔	↔	
17	Plate Washer (M8)	21	SUS304 equiv.	MDM0026	0153500074		↔	↔	

*Note: "Drive Magnet Unit" is furnished with 2 x Setscrew (M8x10).

⚠ Subject to change without prior notice! ⚠ Actual pump may differ from the exploded view!



Item	Description	Q'ty	Material	SMX-F441 (0,75kW)			SMX-F442 (1,5kW)		
				Part No.	Code No.		Part No.	Code No.	
18.1	Spring Washer (M8)	13	SUS304 equiv	MDM0028	0154100057		↔	↔	
18.2	Spring Washer (M10)	4	SUS304 equiv	MDM0030	0154100022		↔	↔	
18.3	Spring Washer (M10)	4	SUS304 equiv	MDM0030	0154100022		↔	↔	
18.4	Spring Washer (M8)	3	SUS304 equiv	MDM0028	0154100057		↔	↔	
19	Flange	2	CFRETFE	MX0477	1,23E+09		↔	↔	
20.1	Rear Casing Support	1	FCD450	SMX0069	1231156800		↔	↔	
20.2	Adapter	0,75kW	1	FCD450	SMX0075	1210041600			
		1,5kW	1	FCD450				SMX0079	1210041700
23	Base	1	GFRPP	SMX0073	1220303100		↔	↔	
*26.1	Rear Thrust Ring	"RF"	1	Al. Ceramic	SMX0016	1240833500		↔	↔
26.2	Rear Thrust	CF•KK	1	CFRETFE	MX0428	1,241E+09		↔	↔
		RF	1	CFRETFE	SMF0039	1,241E+09		↔	↔
27	Spindle	CF•RF	1	Al. Ceramic	MX0118	1240725000		↔	↔
		KK	1	SiC	MX0427	1240765100		↔	↔
30	Gasket	V	1	FKM-A	SMF0086	1,22E+09		↔	↔
		E	1	EPDM	SMF0087	1,22E+09		↔	↔
31.1	O-Ring <G-160>	V	1	FKM-A	SMX0023	0325300186		↔	↔
		E	1	EPDM	SMX0024	0325300187		↔	↔
31.2	O-Ring <G-25>	V	1	FKM-A	MX0117	0325300203		↔	↔
		E	1	EPDM	MX0205	0325300179		↔	↔
31.3	O-Ring <P-50>	V	1	FKM-A	SMF0088	0325100140		↔	↔
		E	1	EPDM	SMF0089	0325100161		↔	↔
31.4	O-Ring <G-30>	V	1	FKM-A	SMX0029	0325300053		↔	↔
		E	1	EPDM	SMX0030	0325300087		↔	↔
31.5	O-Ring <AS568-129>	V	2	FKM-A	MX0130	0325500010		↔	↔
		E	2	EPDM	MX0233	0325500014		↔	↔

*Note: "Rear Thrust Ring" (Pos. 26.1) is required for "RF" model only.

⚠ Subject to change without prior notice! ⚠ Actual pump may differ from the exploded view!